

XETIS

- Puristic, uniform surface with no distracting elements
- Barrier-free access thanks to floor-flush integration
- Protection against moisture penetration because of the joint-free surface
- Integrated slope ensures perfect water drainage
- Assembly-friendly system solution – all components are perfectly compatible with one another
- made of KALDEWEI steel enamel
- The model 890 with full anti-slip finish meets the requirements of DIN-barrierefrei 18040-2
- only for floor-level installation



Similar illustration

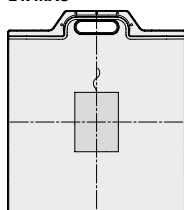
	Combined Tray & Waste depth	Waste fitting depth
KA 200	112	87

See page 275.

For installing the XETIS system solution a Central Support System is necessary. The number and position can be seen on the following arrays.

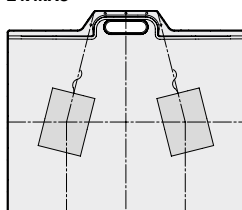
Number and positioning:

1 x MAS



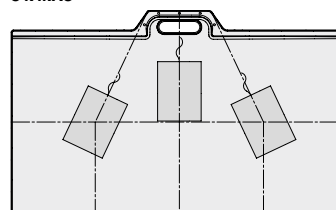
885 90 x 90
886 100 x 100

2 x MAS



887 80 x 120
888 90 x 120
889 100 x 120
890 120 x 120

3 x MAS



891 80 x 140
892 90 x 140
893 100 x 140
894 90 x 170
895 100 x 170
896 90 x 180
897 100 x 180

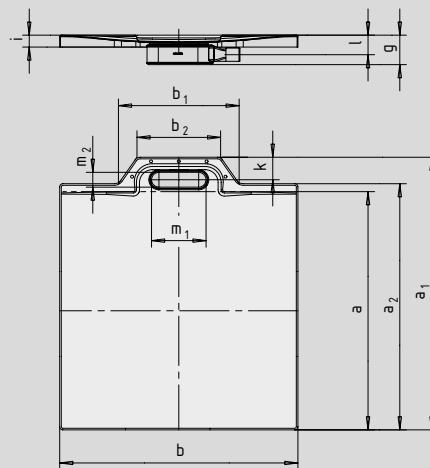
Model No.		885	886	887	888	889	890
External width (nominal)	a	900	1000	800	900	1000	1200 mm
External length (nominal)	b	900	1000	1200	1200	1200	1200 mm
External length	a ₁ ; a ₂	1030; 930	1130; 1030	930; 830	1030; 930	1130; 1030	1330; 1230 mm
External width	b ₁ ; b ₂	460; 320	460; 320	460; 320	460; 320	460; 320	460; 320 mm
Height with siphon	g	112	112	112	112	112	112 mm
Height of rim	i	45	45	45	45	45	45 mm
Distance tray edge to centre of drain hole	k	85	85	85	85	85	85 mm
Siphon connection height	l	74	74	74	74	74	74 mm
Diameter of drain hole	m ₁ ; m ₂	205; 55	205; 55	205; 55	205; 55	205; 55	205; 55 mm
Weight of the enamelled shower tray in kg		23	28	27	29	33	39
Anti-slip		540 x 540	540 x 540	540 x 732	540 x 732	540 x 732	540 x 540 mm
Full anti-slip		836 x 836	932 x 936	740 x 1124	836 x 1124	932 x 1124	1148 x 1184 mm
SECURE PLUS		all-over	all-over	all-over	all-over	all-over	all-over



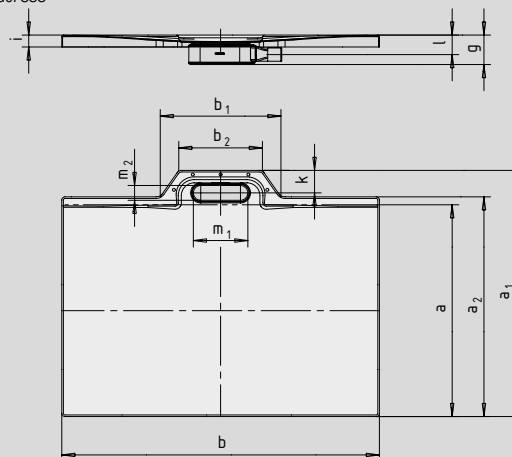
The TÜV Rheinland confirms the following properties of KALDEWEI's anti-slip, full anti-slip and SECURE PLUS finish:

- Assessment group **B** for wet barefoot areas (**DIN 51097**)
- Assessment group **R 10** for slip-resistant properties in work rooms and areas with an increased risk of slipping (**DIN 51130**)

Model 885



Model 888



SECURE⁺