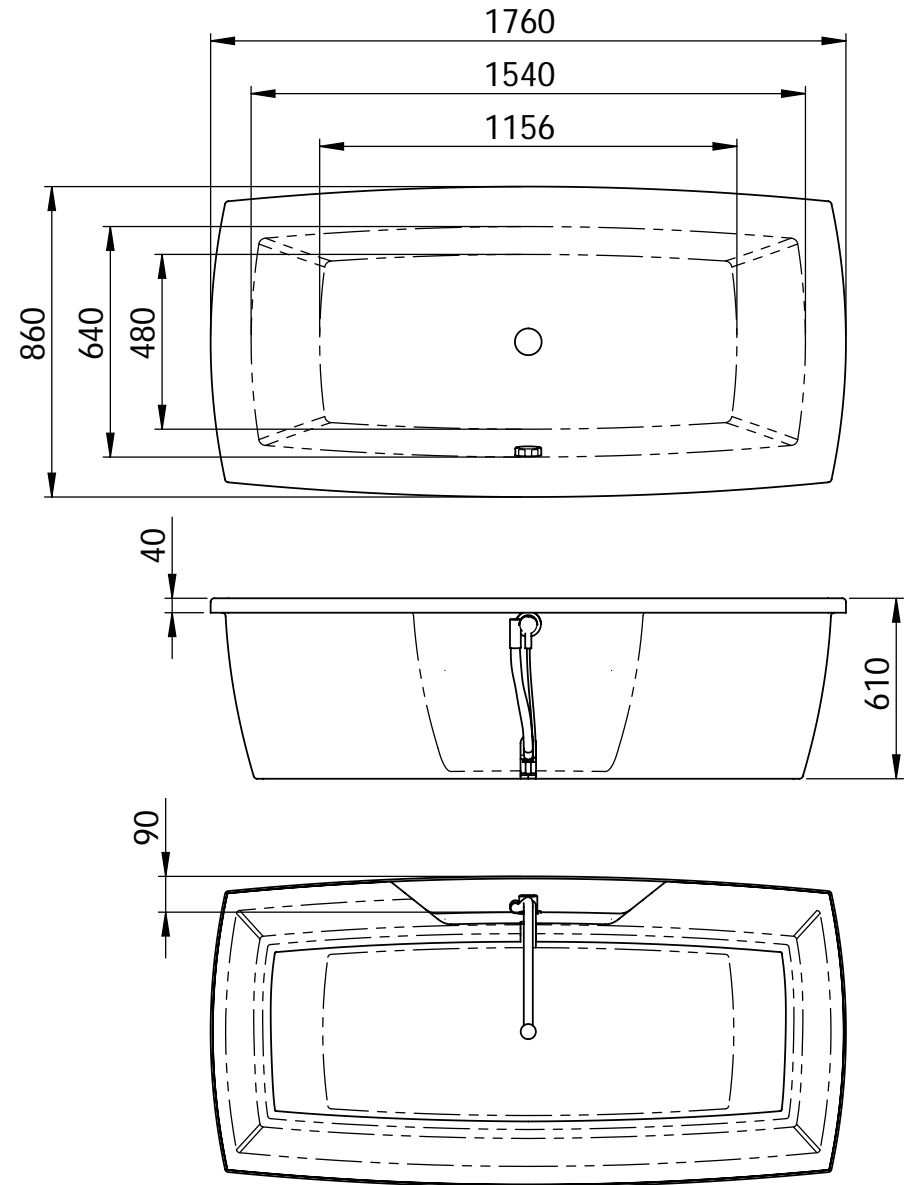


**ADAMSEZ®**



All dimension approximate  
© 2008 Adamsez (NI) Limited

## Zebro (FZE)



Estimated volume 225L

Manufacturing Tolerance

<1m ±5mm

>1m +5mm -10mm

For inset installations use bath as template.

t: +44 (0) 28 9048 0465

f: +44 (0) 28 9048 0485

e: info@adamsez.com

w: www.adamsez.com