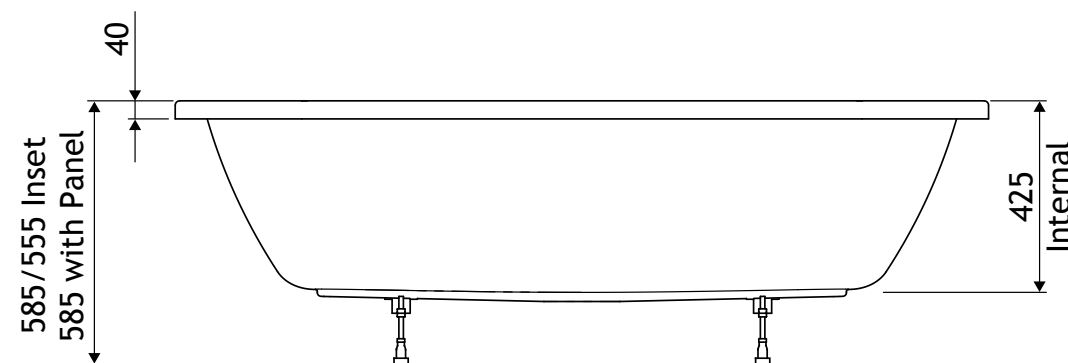
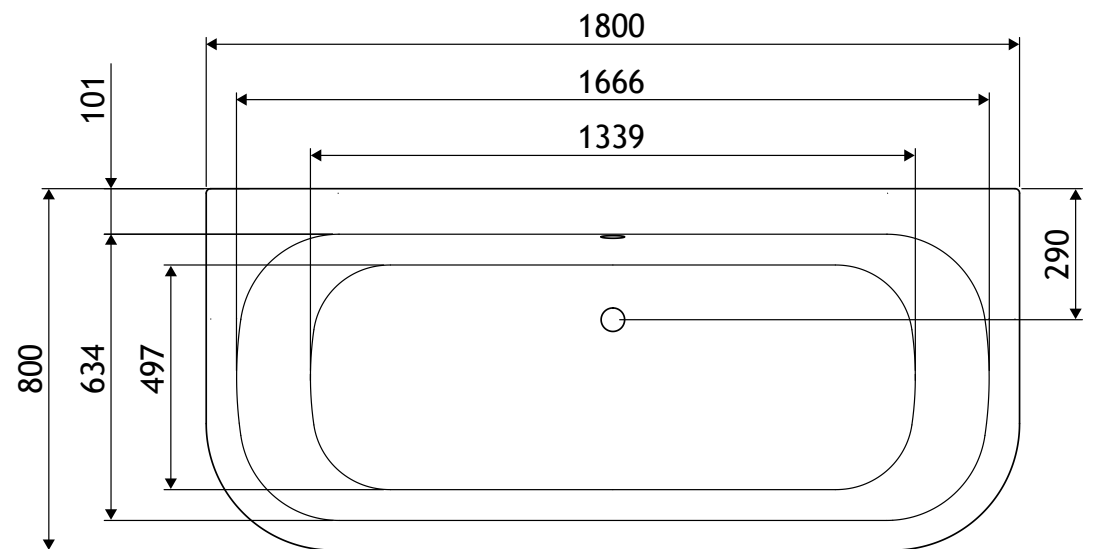




All dimension approximate
© 2008 Adamsez (NI) Limited



Estimated volume 240L
 Manufacturing Tolerance
 <1m ±5mm
 >1m +5mm -10mm
 Inset installations use bath as template

t: +44 (0) 28 9048 0465
 f: +44 (0) 28 9048 0485
 e: info@adamsez.com
 w: www.adamsez.com