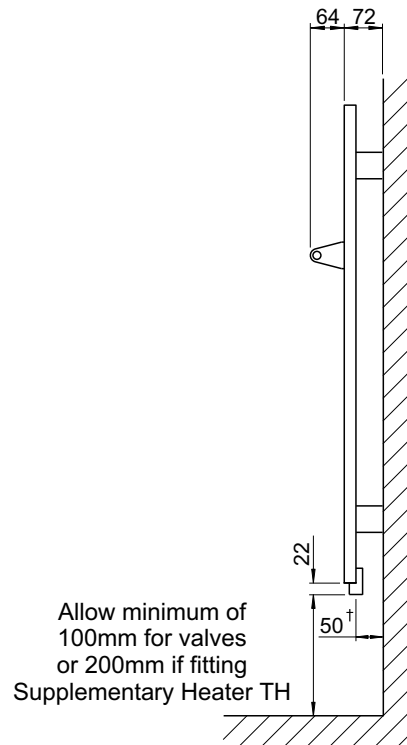


Connection detail for Type BIST/TH



† The pipework connections are very close to the wall. If you want to use angled valves, the only suitable Bisque valves are sets K, M & T.

All dimensions shown are in millimetres

- Test pressure: **5.2 BAR**
- Max working pressure: **4 BAR**
- Max working temperature: **100° C**
- All steel construction: **1.5mm panel thickness**
- Connections: **½ inch BSP underside tapings**

**Not for use on domestic hot water system**

Heat output determined in accordance with EN 442

Reg. Number 6R0263 (horizontal) , 6R0264 (vertical)

Manufactured for Bisque by Arbonia AG of Switzerland

Model	Output	Output	n	Water Content	Weight	Height	Length	Tapping Centres	Fixing Centres	
	ΔT=50K	ΔT=60K							V	H
	Watts	Watts		litres	kg	± 2mm	± 2mm	± 2mm	±2mm	
<b>BIST 90-50</b>	481	610	1.30	5.9	14	900	500	450	666	266
<b>BIST 130-50</b>	665	844	1.31	8.5	20	1300	500	450	1066	266
<b>BIST 170-50</b>	852	1082	1.31	11.2	26	1700	500	450	1466	266