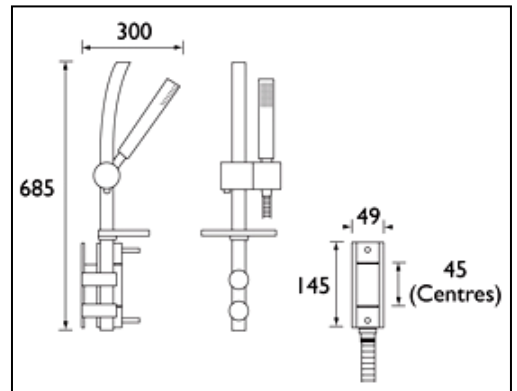
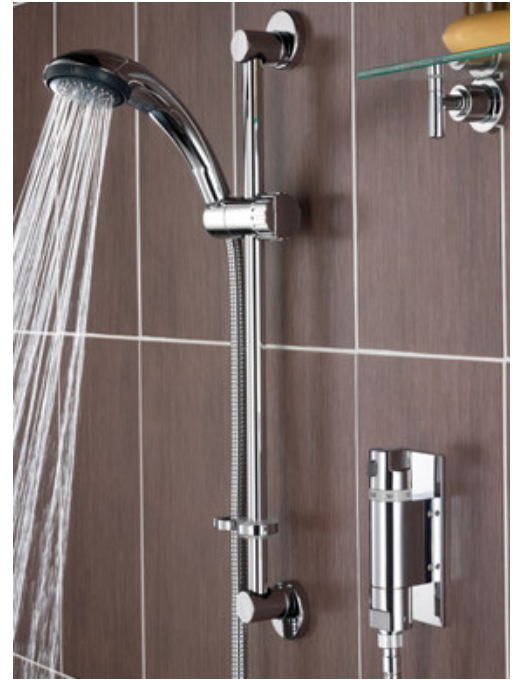


THERMOSTATIC VERTICAL SHOWER VALVE

Product Specification

Product code:	(PM) (QU) (AR) VSHXAR C
Finish:	Chrome
Inlet Connections:	15mm Push-Fit Connections
Water Pressure:	Min. 0.1 bar Max. 8.0 bar
Valve Type:	¼ turn ¾" Ceramic Disc Valve



Product Information

- Dual Control - Flow and temperature are controlled by separate handles, giving accurate control of both.
- Thermostatic cartridge maintains showering temperature to +/- 1 °C by compensating for changes in the Incoming water temperature and pressure, giving the stable outlet temperature.
- Automatic shut off in the event of either the hot or cold water supply failure.
- Factory set to a maximum of 38 °C to eliminate the ability to select an unsafe temperature (this can be manually over-ridden using push button or friction override), this is adjustable to suit user preference.
- Inlet centres 45mm.
- Bottom outlet making shower suitable for adjustable riser kits.

Construction: Brass body.

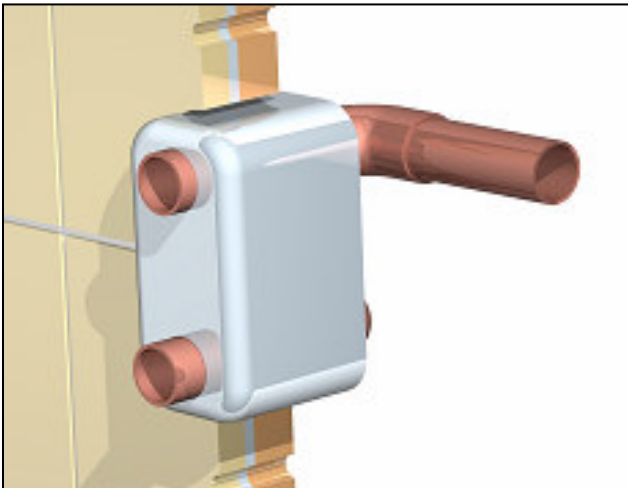
Cartridge: Thermostatic, designed to comply with BS EN1287:1999 / BS EN1111:1999.

Supply: Suitable for use with all plumbing systems, preferably balanced supplies.

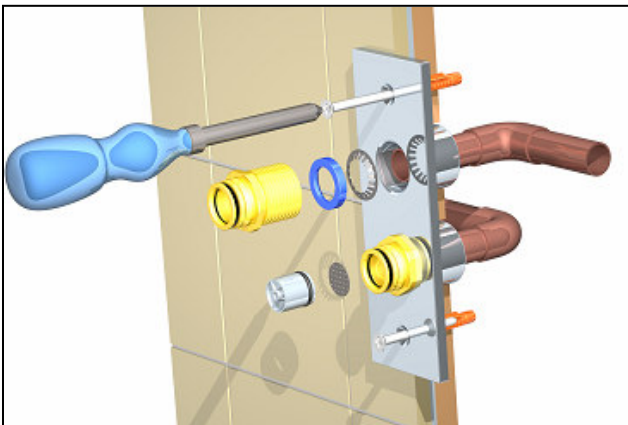
Guarantee: All Bristan products are covered by a 5 year guarantee covering manufacturing faults.



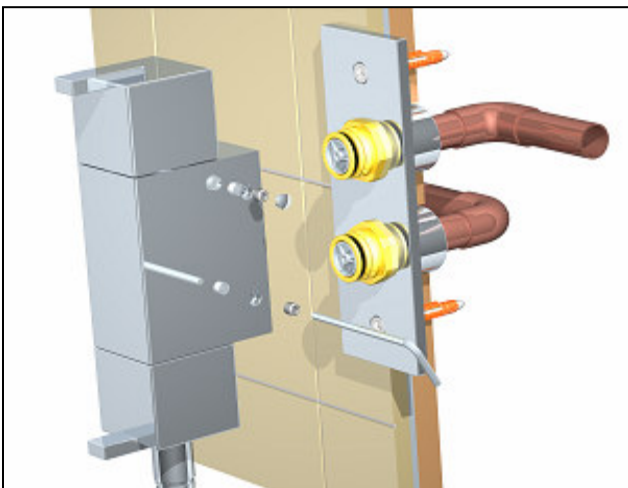
INVESTOR IN PEOPLE



Finish Wall up to plastering shroud, which positions the pipework centres.



Secure backplate to the wall and pipework to the backplate. Insert filters and non-return valves.



Secure in-line shower valve to backplate and the shower is ready for use.

