

TECHNICAL DATASHEET

JAVA

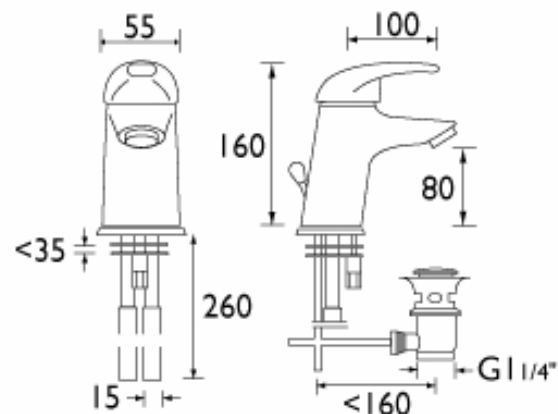
JAVA ECO BASIN MIXER WITH POP-UP WASTE



© Bristan Group 2009

Product Specification

Product Code:	J EBAS C
Finish:	Chrome
Product Type:	Contemporary
Construction:	Body is of brass construction and is designed to conform to BS EN 817
Valve Type:	40mm eco click cartridge
Supply:	Suitable for all plumbing systems
Inlet Connections:	M10 x 15mm screw-in copper connecting pipes
Water Pressure:	Min. 0.2 bar, Max. 8.0 bar



Additional Information

- Includes eco-click water saving feature. Cartridge offers subtle resistance as it reaches approximately half of its full flow capability, saving water. For increased flow the eco-click feature can be overridden.
- Fitted with aerator flow straightener for a softer non-splashing flow.
- Supplied with pop-up waste.
- Supplied with metal handle.
- Chrome plated to BS EN 248.

Technical Advice: For further information please call 0844 7016273 or email customer care@bristan.com.
Guarantee: 5 years covering manufacturing faults.

Compliance/Approvals

WRAS: Pending

Flow Rates (litres per minute)

System Pressure	0.2bar	0.5bar	1bar	2bar	3bar	5bar
J EBAS C (ECO - mixed)	3.5	6.1	9.0	12.9	15.7	19.7
J EBAS C (full flow - mixed)	5.8	9.9	14.2	20.3	24.9	32.1