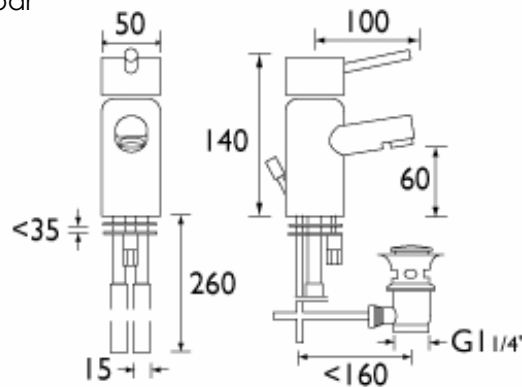


PRISM

PRISM BASIN MIXER WITH ECO-CLICK AND POP-UP WASTE

Product Specification

Product Code:	PM EBAS C
Finish:	Chrome plated
Product Type:	Contemporary
Construction:	Body is of brass construction and is designed to conform to BS EN 817
Valve Type:	Eco-click ceramic disc cartridge
Supply:	Suitable for all plumbing systems
Inlet Connections:	M10 x 15mm screw-in copper connecting pipes
Water Pressure:	Min 0.2 bar, Max 8.0 bar



Additional Information

- Incorporates eco-click water saving feature. Cartridge offers subtle resistance as it reaches approximately half of its full flow capability, saving water. For increased flow the eco-click feature can be overridden.
- Fitted with aerator flow straightener for a softer non-splashing flow.
- Supplied with metal handle.
- Supplied with pop-up waste.
- Chrome plated to BS EN 248.

Technical Advice: For further information please call 0844 7016273 or email customer care@bristan.com
Guarantee: 5 years covering manufacturing faults

Compliance/Approvals

WRAS: Pending

Flow Rates (litres per minute, mixed flow)

System Pressure	0.2bar	0.5bar	1bar	2bar	3bar	5bar
FULL (flow straightener)	5.1	8.8	12.6	18.0	22.0	28.6
CLICK (flow straightener)	2.6	4.4	6.4	9.1	11.0	14.1
FULL (aerator)	4.3	6.9	9.5	13.3	16.1	20.8
CLICK (aerator)	1.5	3.4	4.7	6.6	8.0	10.1