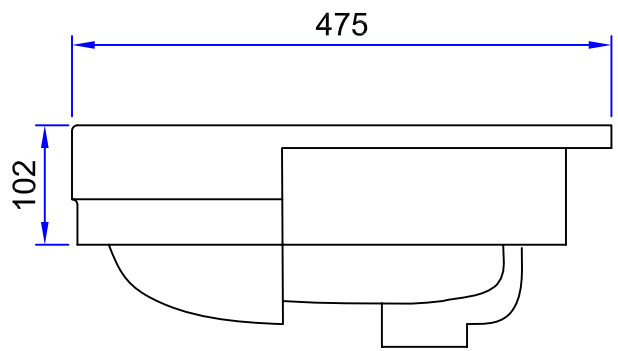
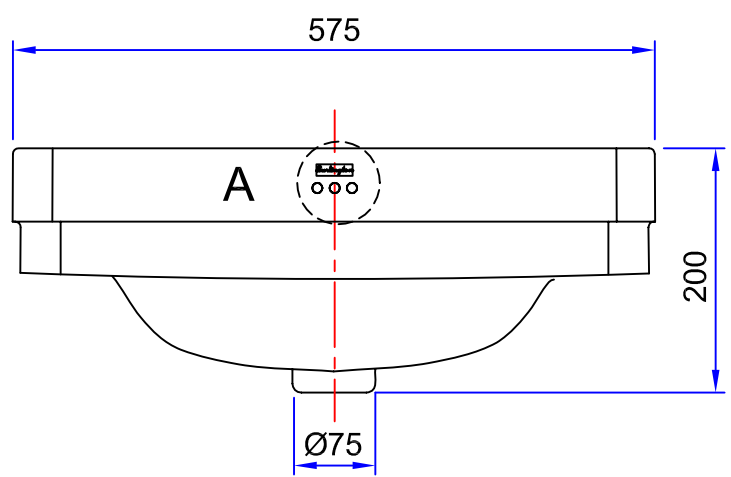


A



B12 2TH-A