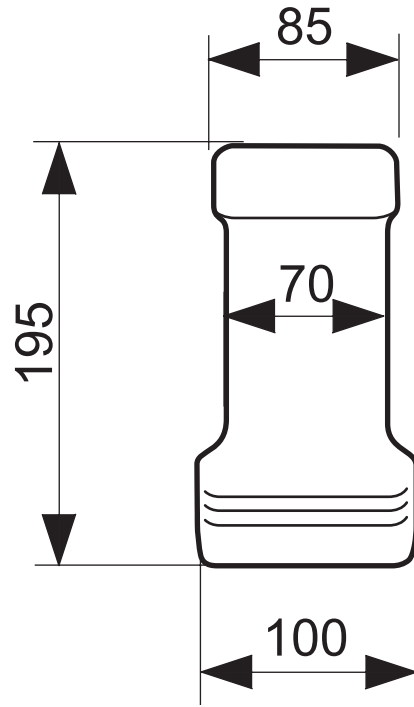


Bath Water Volume : 185 litres * / 115 litres **

* Volume of water contained in the bath if filled to the overflow.

** Volume of water contained in the bath if filled to the overflow less 70 litres displacement to allow for an average person in the bath.



E9 CHR -A
E9 WHI -A
E9 BLA -A