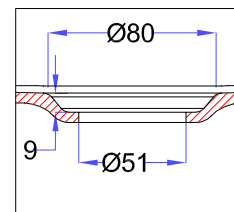
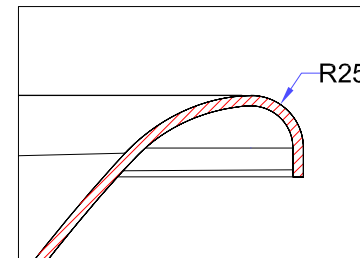


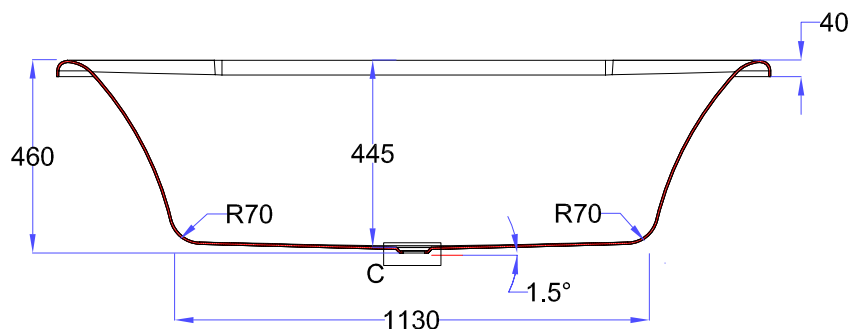
B-B



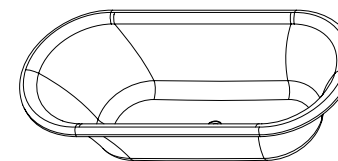
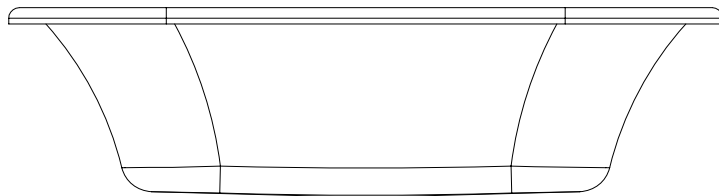
C
SCALE 1:2



C
SCALE 1:2



A-A

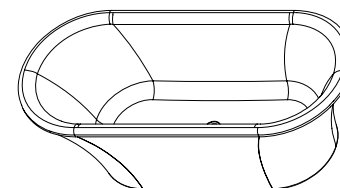
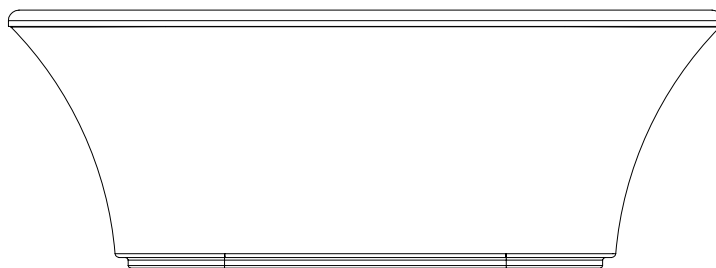
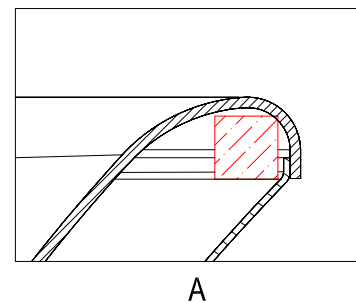
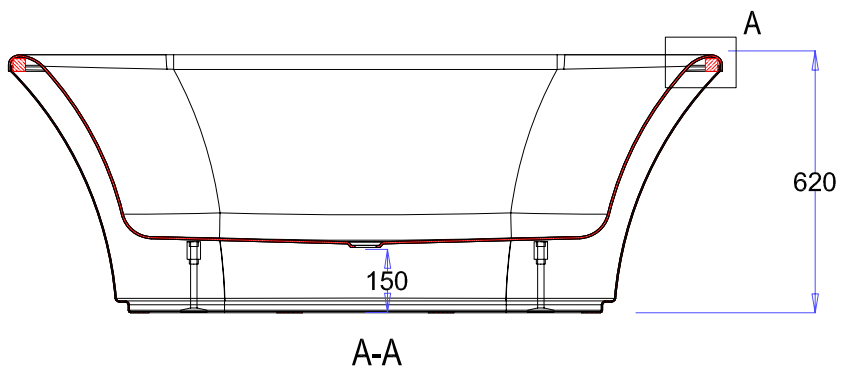
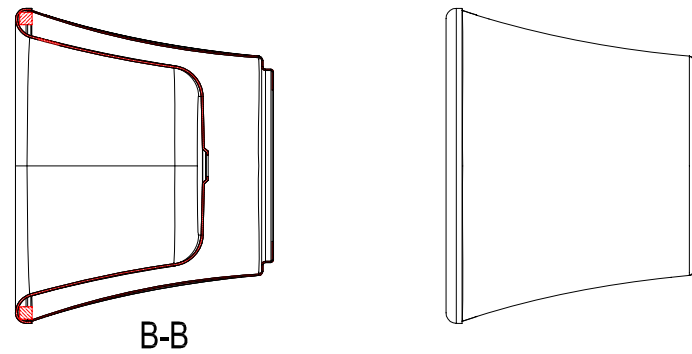
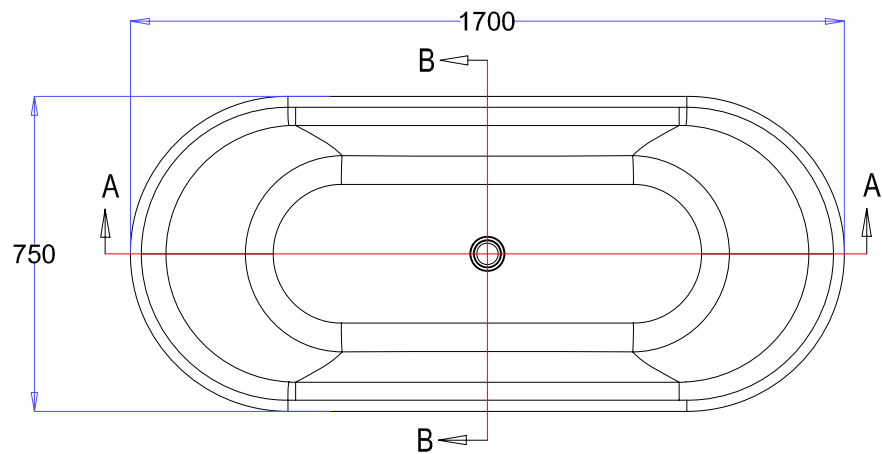


PERSPECTIVE

Bath Water Volume : 215 litres * / 145 litres **

* Volume of water contained in the bath if filled to the overflow.

** Volume of water contained in the bath if filled to the overflow less 70 litres displacement to allow for an average person in the bath.



PERSPECTIVE

Bath Water Volume : 215 litres * / 145 litres **

* Volume of water contained in the bath if filled to the overflow.

** Volume of water contained in the bath if filled to the overflow less 70 litres displacement to allow for an average person in the bath.