

OPEN / PRINT AS PDF 

# TECHNICAL DATA SHEET



## Boat 1650

### Product Specification

<b>Finishes</b>	white
<b>Product Type</b>	traditional
<b>Material</b>	acrylic
<b>Tap Holes</b>	0
<b>Product Weight</b>	45kg
<b>Bath Water Volume</b>	169 litres * / 99 litres **

\* Volume of water contained in the bath if filled to the overflow.

\*\* Volume of water contained in the bath if filled to the overflow less 70 litres to allow for an average person in the bath.

### Additional Information

Overflow hole and waste pipe exit hole is predrilled, no tap template

### Guarantee

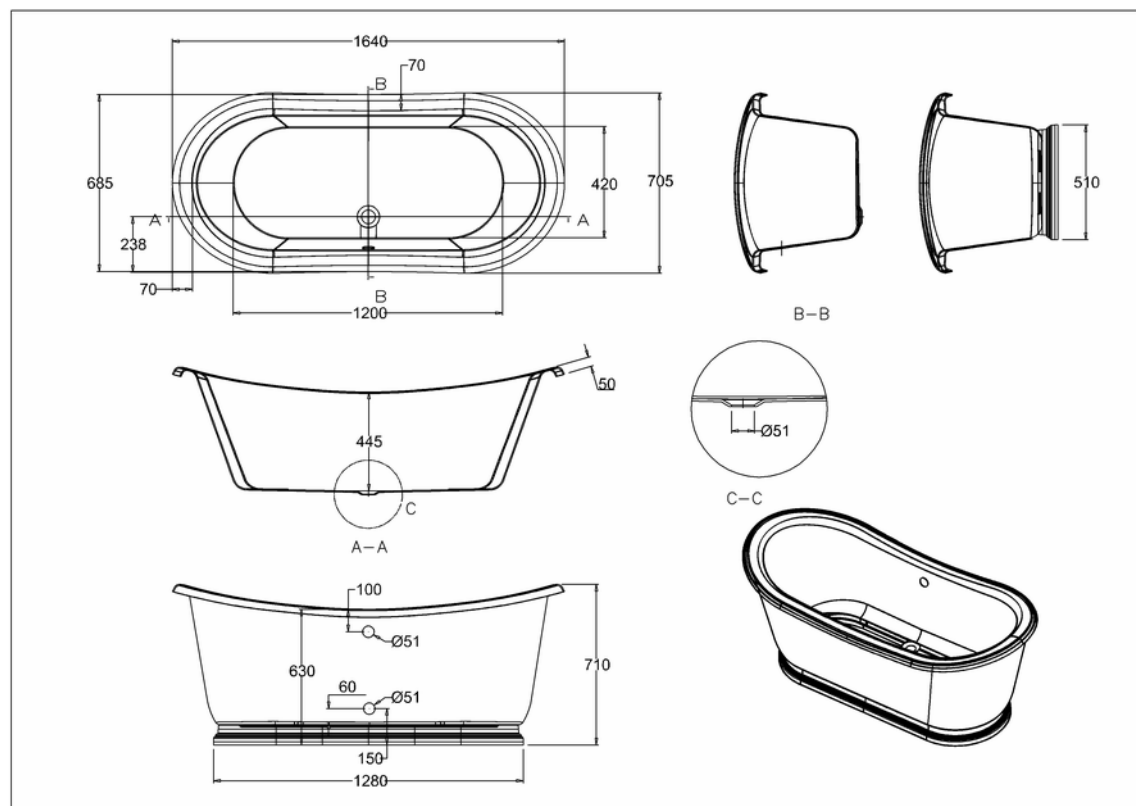


See our website for terms and conditions

### Compliance / Approvals

BS EN14516:2006

Baths for domestic purposes



All dimensions are in millimetres (mm)

### Compatible Products

CW3 - P Trap, CW5 - Plug & Chain Waste - double bath, CW7 - Click-Clack Waste - double bath, CW8 - Click-Clack Waste, CW9 - Pop-Up Waste