

## Geberit Monolith

The new sanitary module for fast,  
simple installation



**KNOW:**

Toilets can be removed in no time, but you're still left with the old drain.



**HOW:**

A design solution that adapts easily to existing drains.



**KNOW  
HOW  
INSTALLED**



Geberit has developed a new sanitary module for ceramic pans that can be installed using existing connections and drains: Geberit Monolith causes no additional building work, is quickly installed and impresses with its clean-cut, space-saving design.



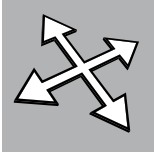
Geberit Monolith is an elegant sanitary module for bathrooms with an integrated cistern that can be installed using existing connections and drains. Its clear, simple lines and high-quality materials create a harmonious interaction between bathroom and ceramic pan.

# Advantages at a glance



## Simplicity

Geberit Monolith can be connected to existing drains and water supply connections without the need for structural modifications. No chiselling, no tiling, no rubble. Installation of the entire system can be completed in a single operation meaning the toilet is ready for use again within a matter of hours.



## Flexibility

Geberit Monolith fits into any construction situation, from new build to renovation. It is modular in design and easily compensates for building tolerances.



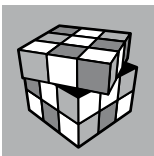
## Top quality

The sanitary module uses only top-quality materials including safety glass and aluminium. As with all Geberit systems, the technical components are finished to the highest standard.



## Low maintenance

Valves are directly accessible for easy maintenance. All components match Geberit's own high quality standards and availability of spare parts is guaranteed for 25 years.



## Versatility

Geberit Monolith can be combined with most wall-hung ceramic pans.

Images from the installation video

Watch the entire video on our website or download it as a wmv file:

[www.geberit.co.uk](http://www.geberit.co.uk) > Products > Washroom and Bathroom Systems > Geberit Monolith





## Models and features



**Glass, black coated**

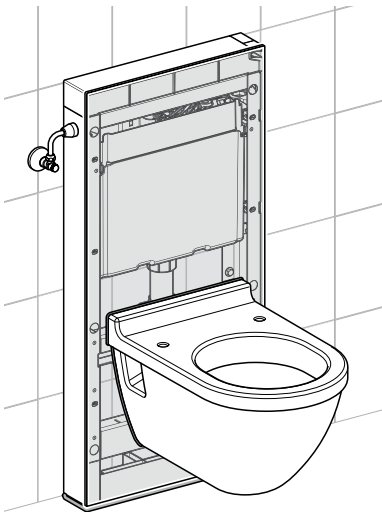


**Glass, white coated**

<b>Glass edges</b>	Polished	Polished
<b>Side</b>	Brushed aluminium	Brushed aluminium
<b>Applications</b>	- Wall-hung WC	- Wall-hung WC



## Main applications



**For ceramic pan for wall-hung toilets**

---

Article number 131.022.SJ.1 Black  
131.022.SI.1 White

---

 **GEBERIT**



product  
design  
award

2010 

#### **iF product design award**

The iF product design award has been used as a seal of quality for outstanding industrial design since 1953. Awarded by international experts, the iF logo stands for outstanding, tried-and-tested design quality.

Geberit Sales Ltd  
Geberit House  
Academy Drive  
Warwick  
Warwickshire  
CV34 6QZ

Freephone: 0800 077 8365  
Fax: 0844 800 6604  
Eire: +44 (0) 1926 516 800  
Literature: 0800 007 5133

[www.geberit.co.uk](http://www.geberit.co.uk)