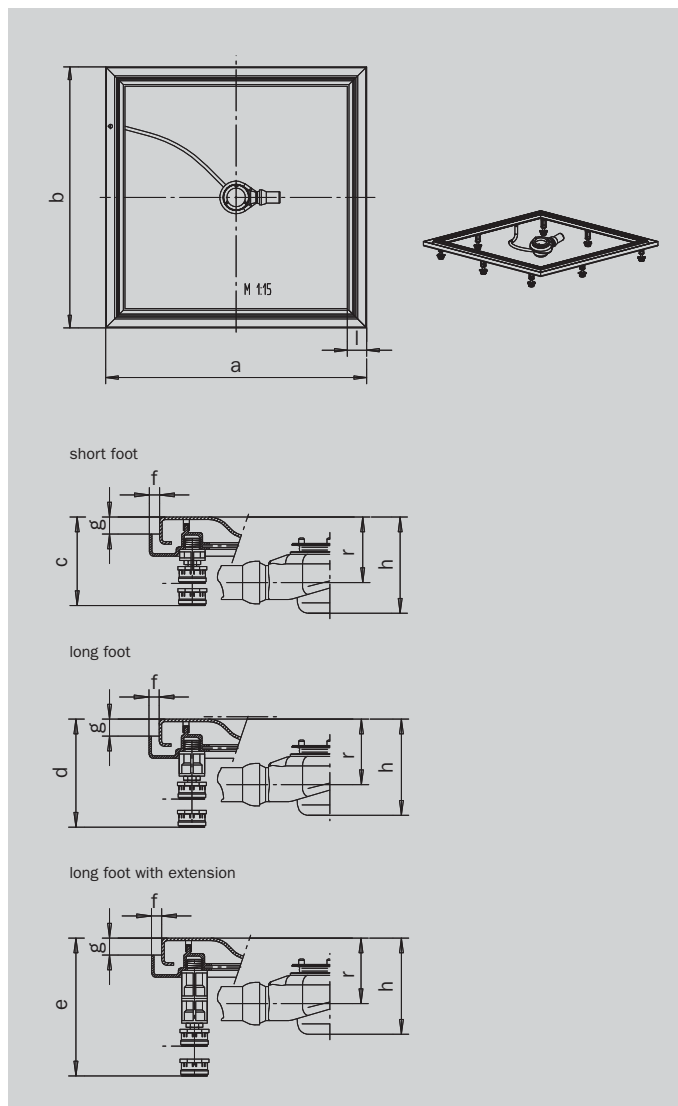


ESR INSTALLATION SYSTEM FRAME FOR CONOPLAN WITH SPECIAL SIPHON AND DRAIN OFF CONNECTION

- allows quick and accurate installation of CONOPLAN at floor level
- versatile thanks to horizontally and vertically adjustable feet
- optimum sound insulation due to integrated sound insulation band, rubber mounting profile, corner support rubbers and noise-decoupled feet
- with non-return valve in the drain off connection so that in the event of the siphon becoming blocked, no water can go back into the frame of the ESR



| Model no. | | 90/90 CONOPLAN | 100/100 CONOPLAN | 120/90 CONOPLAN |
|--------------------------------|---|----------------|------------------|-----------------|
| External length | a | 920 | 1020 | 1220 mm |
| External width | b | 920 | 1020 | 920 mm |
| Installed height | c | 78-94 | 78-94 | 78-94 mm |
| Installed height | d | 94-127 | 94-127 | 94-127 mm |
| Installed height | e | 127-162 | 127-162 | 127-162 mm |
| Space for wall tile | f | 10 | 10 | 10 mm |
| Space for floor tile | g | 20 | 20 | 20 mm |
| Frame width | l | 70,5 | 70,5 | 70,5 mm |
| Siphon connection height | r | 99 | 99 | 99 mm |
| Shower tray height with siphon | | 140 | 140 | 140 mm |

Take account of required plaster floor recess, dimensions a and b plus 4 mm

If the structural height is less than 150 mm, a floor recess is required.
We recommend a non-return valve be fitted in the outlet pipe.

| ESR Installation system frame with special siphon and drain off connection | Model Order No. | Dimensions cm | Colour price groups | | | EUR |
|---|--------------------|------------------|---------------------|-----|----|-----|
| | | | I (white)+II | III | IV | |
| for CONOPLAN including special outlet fitting with enamelled outlet cover | 5845 7300 xxxx | 90 x 90 | | | | |
| | 5845 7301 xxxx | 100 x 100 | | | | |
| | 5845 7302 xxxx | 90 x 120 | | | | |