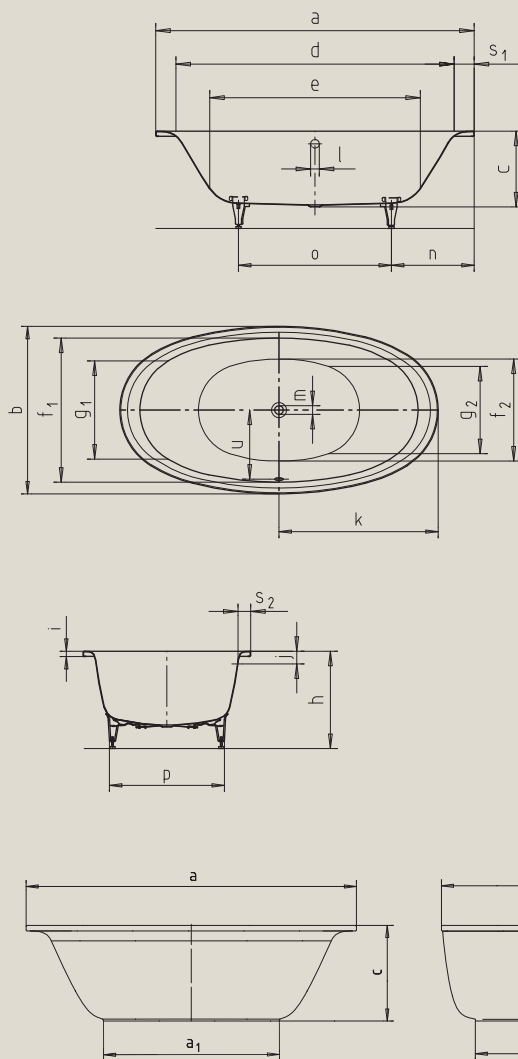


ELLIPSO DUO OVAL WITH MOULDED PANEL

- gently shaped shoulder rest for more pleasure and comfort
- elliptical exterior form reflects the interior form
- bathing with a friend: two identical back rests and centrally positioned waste
- made of Kaldewei steel enamel 3.5 mm
- the moulded panel emphasises the high design standard and enables the bath to be free-standing



Model No.	232-7	
External length	a	1900 mm
External length (bottom)	a ₁	1013 mm
External width	b	1000 mm
External width (bottom)	b ₁	608 mm
Depth	c	450 mm
Overall height with panel	c ₁	550 mm
Internal length (top)	d	1660 mm
Internal length (bottom)	e	1260 mm
Internal width (top)	f ₁ ; f ₂	860; 610 mm
Internal width (bottom)	g ₁ ; g ₂	585; 520 mm
Height with feet	h	565-595 mm
Height of rim	i	32 mm
Distance top edge to centre of overflow hole	j	75 mm
Distance tub edge to centre of drain hole	k	950 mm
Diameter of overflow hole	l	52 mm
Diameter of drain hole	m	52 mm
Distance foot end of tub edge to centre of foot	n	585 mm
Distance between the feet	o	730 mm
Max. width of feet	p	620 mm
Width of rim (foot end; lengthwise)	s ₁ ; s ₂	120; 65 mm
Distance between centre holes	u	421 mm
Water volume** in litres		214
Weight of the enamelled bath tub in kg		55
Anti-slip		Ø 587 mm
Full anti-slip		900 x 546 mm

Subject to technical alterations and tolerances.
 ** 70 litres displacement on average.