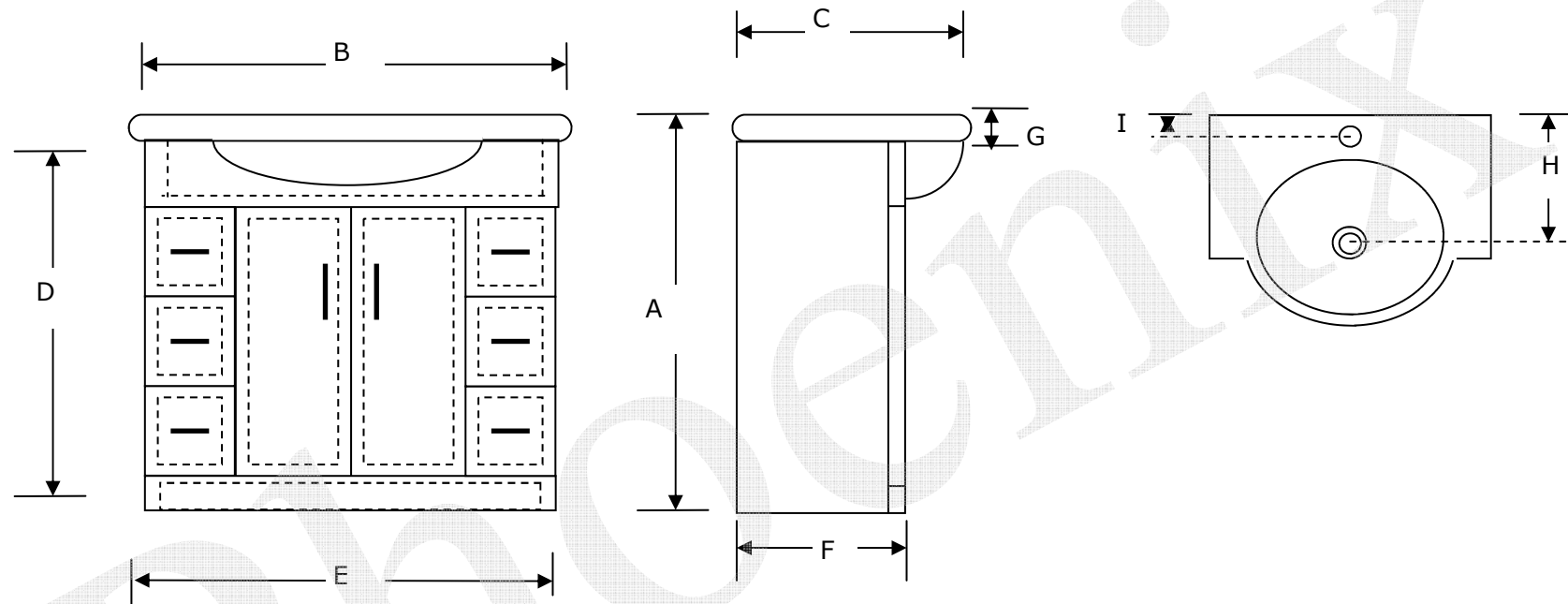


EURO 105 SINGLE BASIN AND BASE UNIT



A	B	C	D	E	F	G	H	I
TOTAL HEIGHT	WIDTH	DEPTH	UNIT HEIGHT	UNIT WIDTH	UNIT DEPTH	BASIN HEIGHT	WALL TO WASTE	WALL TO TAP HOLE
850	1050	510	800	1000	330	50	80	200

ALL MEASUREMENTS ARE IN MM