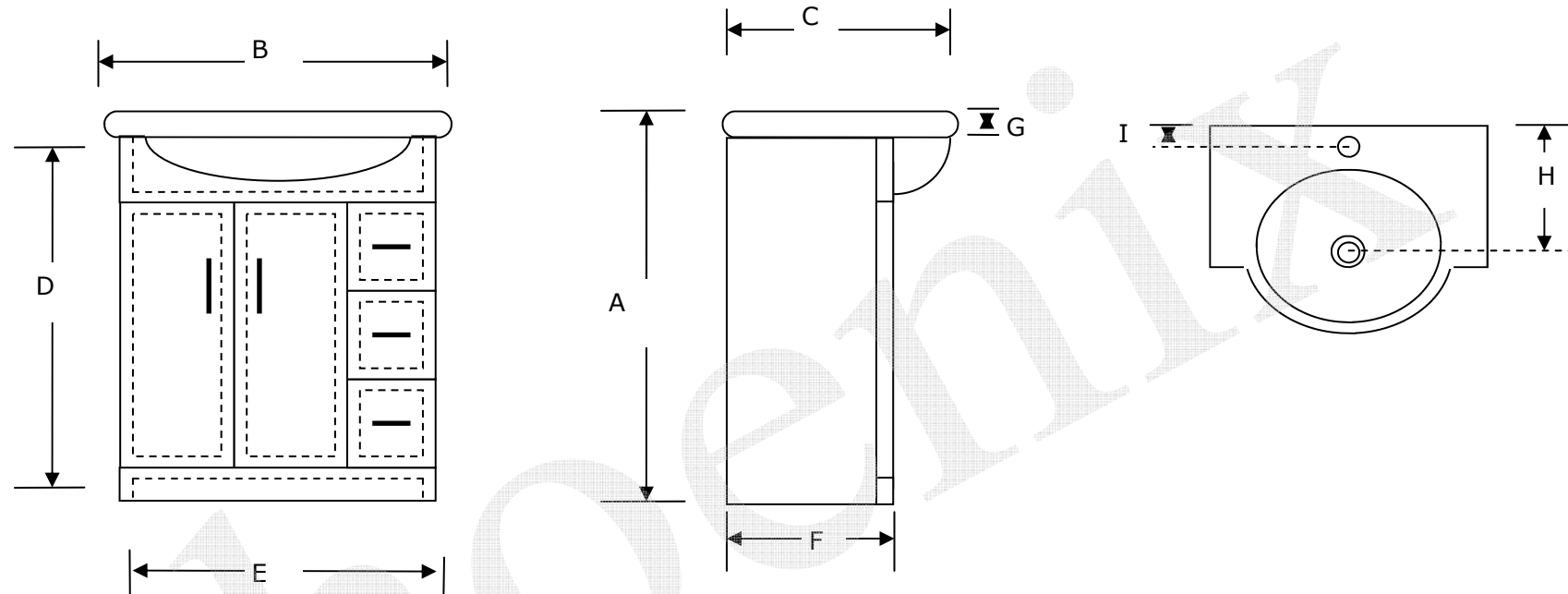


## EURO 85 BASIN AND BASE UNIT



A	B	C	D	E	F	G	H	I
TOTAL HEIGHT	WIDTH	DEPTH	UNIT HEIGHT	UNIT WIDTH	UNIT DEPTH	BASIN HEIGHT	WALL TO WASTE	WALL TO TAP HOLE
850	850	490	800	800	330	50	80	210

ALL MEASUREMENTS ARE IN MM