

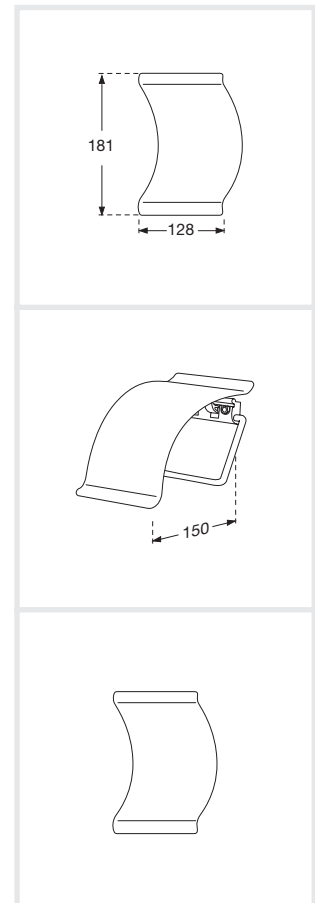
The toilet roll holder is designed with soft, round lines to match Pressalit's toilet seats. A built-in spring holds down the paper, so that the toilet roll holder can be operated with only one hand. The holder has a clip-function at the back for fixing postcards, children's drawings, a magazine etc.



## Pressalit Toilet Roll Holder (Duroplast)

No. 480xxx

<i>Design</i>	— Pressalit, 2005
<i>Product Description</i>	— PRESSALIT toilet roll holder art. no. 480 in duroplast. - tear-off edge which enables the user to operate it with one hand - clip-function allows fixing of magazines or any type of gimmick - 10 year guarantee
<i>Colour Programme xxx</i>	— 000 white, 001 black, 068 bermuda blue, 155 flame, 177 aquamarin, 186 mandarin, 273 pergamon, 277 lime (also available in wood, see the back)
<i>Spare Part</i>	— A8837 Mounting kit
<i>Product Weight</i>	— Net weight approx. 0,370 kg
<i>Packaging</i>	— A3144 Single carton      Dimensions:      Weight: 600 pcs. per pallet      140x189x50 mm      0,450 kg
<i>Material Description</i>	— The material is colour ingrained duroplast (UF A 10 = urea formaldehyde) that contains no environmentally hazardous substances. UF plastic comprises 67% urea formaldehyde resin, 28% cellulose, as well as 5% minerals, pigments, lubricants and moisture content. The raw material from the supplier contains up to 0.03% free formaldehyde and even less following curing.  Rack: POM (polyoxymethylene) Bracket: Stainless steel Ø6 Spring: Stainless, acid-resistant wire
<i>Mounting</i>	— Can be mounted in all types of wall material, including wood and wooden boards, using the mounting kit supplied.
<i>Cleaning Instructions</i>	— Use a mild soap solution. Should not be left damp, but be dried with a soft cloth.



Seats for your senses

The toilet roll holder is designed to match the Pressalit Mistral toilet seat. A built-in spring holds down the paper, so that the toilet roll holder can be operated with only one hand. The holder has a clip-function at the back for fixing postcards, children's drawings, a magazine etc.



## Pressalit Toilet Roll Holder (Wood)

No. 480xxx

### Design

Pressalit, 2005

### Product Description

PRESSALIT toilet roll holder art. no. 480 in solid wood.  
 - tear-off edge which enables the user to operate it with one hand  
 - clip-function allows fixing of magazines or any type of gimmick  
 - laminated wood  
 - 10 year guarantee

### Colour Programme xxx

604 natural teak, 612 oak, white-stained, 615 mahogany, 616 cherry

### Spare Part

A8837 Mounting kit

### Product Weight

Net weight approx. 0,370 kg

### Packaging

A3144 Single carton  
 600 pcs. per pallet

Dimensions: 140x189x50 mm  
 Weight: 0,450 kg

### Material Description

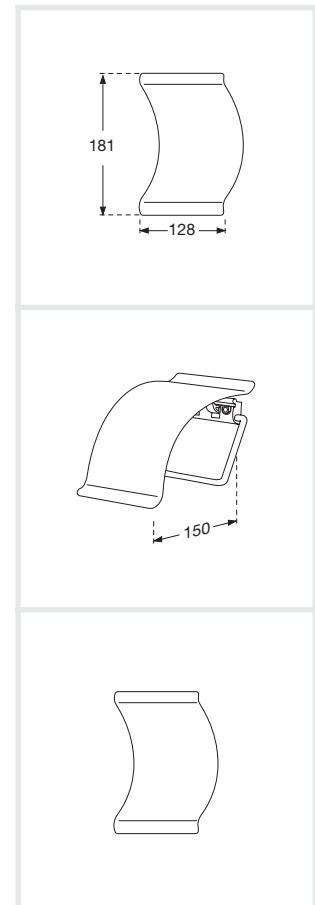
Cover: Laminated wood, pressed in moulding tool. In total 6 layers of veneer and 2 covering layers  
 Surface in oak, mahogany, cherry or natural teak  
 (604) natural teak  
 (612) oak, white-stained (Coloured pigment in lacquer)  
 (615) mahogany (Coloured pigment in lacquer)  
 (616) cherry  
 Surface: 3 x acid-hardened transparent lacquer.  
 Rack: POM (polyoxymethylene)  
 Bracket: Stainless steel Ø6  
 Spring: Stainless, acid-resistant wire

### Mounting

Can be mounted in all types of wall material, including wood and wooden boards, using the mounting kit supplied.

### Cleaning Instructions

Use a mild soap solution. Should not be left damp, but be dried with a soft cloth.



[www.pressalit.com](http://www.pressalit.com)



European Sales Agencies  
 Unit 10c Tanfield Lea (North) Industrial Estate  
 Tanfield Lea, Stanley  
 Co Durham, DH99UU  
 Tel. 01207 236622, Fax 01207 236633  
 info@europeansalesagencies.com  
 www.europeansalesagencies.com

Pressalit A/S  
 Pressalitvej 1  
 DK-8680 Ry  
 Tel. (+45) 8788 8788  
 Fax (+45) 8788 8789  
 pressalit@pressalit.com  
 - a division of Pressalit Group A/S



Seats for your senses