

Uniclass L721113	EPIC H14/1
CI/SfB (74.449)	X

Say goodbye to slamming seats. And welcome to Calmo – the calm luxury in everyday life.
A seat with minimalistic and pure lines where soft close is taken for granted.



Pressalit Calmo® with soft close, incl. BZ5 fixed hinge
Pressalit Calmo® with soft close, incl. D15 universal hinge

No. 556xxx-BZ5999 with cover
No. 556xxx-D15999 with cover

Design/Year

Pressalit, 2007, registered trademark and design

Product Description

PRESSALIT toilet seat with cover, model "Calmo", art. no. 556 made of colour ingrained duroplast with stainless steel hinges.
- with BZ5 fixed hinge/D15 universal hinge of stainless steel.
- centre distance:
BZ5 155 mm/D15 133-215 mm.
- load – ring seat 240 kg.
- suitable for universal toilets.
- 10 year guarantee.

Colour Programme xxx

000 white, 001 black,
052 manhattan, 273 pergamon

Alternative Hinge

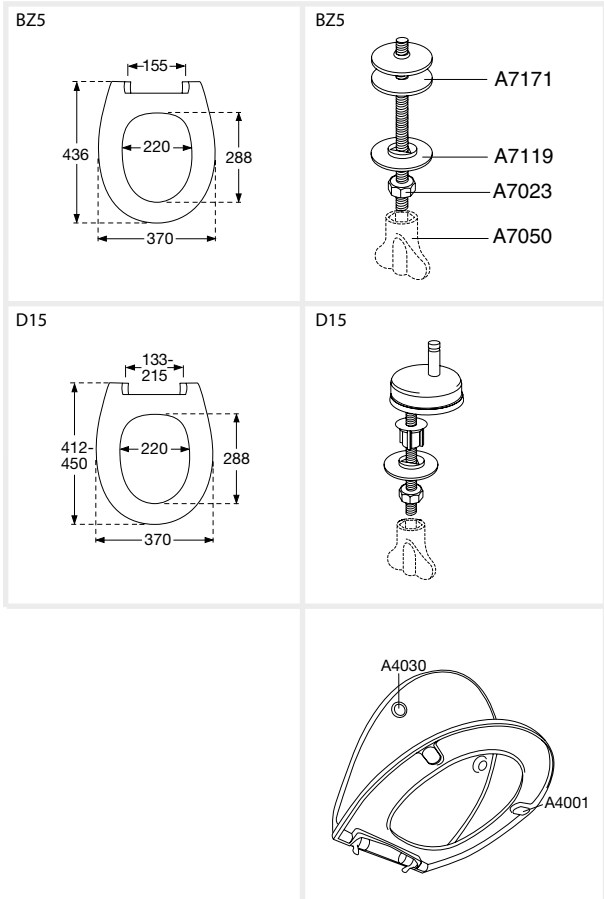
D01 Universal top mounted hinge
D02 Universal flex toggle hinge

Hinge Finish

999 Stainless steel

Spare Parts

A4030 Buffer for cover, grey
A4001 Buffer for seat, grey



Seats for your senses

Product Weight

Net weight approx. 3,100 kg incl. BZ5 hing
Net weight approx. 3,000 kg incl. D15 hinge

Packaging

	Dimensions:	Weight:
Single carton incl. BZ5 hinge	463x385x75 mm	3,300 kg
5 single cartons in a master carton	474x392x395 mm	17,700 kg
12 master cartons (60) per pallet		
	Dimensions:	Weight:
Single carton incl. D15 hinge	463x385x75 mm	3,400 kg
5 single cartons in a master carton	474x392x395 mm	17,700 kg
12 master cartons (60) per pallet		

Material Description

TOILET SEAT:
The material is colour ingrained duroplast (UF A 10=urea formaldehyde) that contains no environmentally hazardous substances. UF plastic comprises 67% urea formaldehyde resin, 28% cellulose, as well as 5% minerals, pigments, lubricants and moisture content. The raw material from the supplier contains up to 0.03% free formaldehyde and even less following curing.

BUFFERS:
EVA (copolymer made of ethylene and vinyl acetate).

DAMPER KIT:
Hydraulic damper with plastic casing and metal shaft.
Damper liquid: Silicone oil.

MOUNT/HINGES:
Stainless steel ASTM A351 grade CF-8.
Composition: chrome (cr) 18-21%, nickel (ni) 8-11%, carbon <0.08%, molybdenum, silicone, sulphur, titanium.

Suitability List

Usable on universal toilets – see the printed seat suitability specifications.

Cleaning Instructions

Use a mild soap solution. Seat and hinges should not be left damp, but be dried with a soft cloth. When using abrasive, corrosive or chlorine based cleaners for the bowl, avoid contact with seat and hinges. Therefore, when cleaning the bowl, make sure that seat and cover are in an upright position until all the cleaner has been flushed away.

The guarantee includes faults or defects in the material of our products within a period of 10 years.
Products subject to minor technical modifications and design deviations E. & O.E.



Pressalit A/S, Denmark

www.pressalit.com

European Sales Agencies
Unit 10c Tanfield Lea (North) Industrial Estate
Tanfield Lea, Stanley
Co Durham, DH99UU
Tel. 01207 236622, Fax 01207 236633
info@europeansalesagencies.com
www.europeansalesagencies.com

Pressalit A/S
Pressalitvej 1
DK-8680 Ry
Tel. (+45) 8788 8788
Fax (+45) 8788 8789
pressalit@pressalit.com
– a division of Pressalit Group A/S



Seats for your senses