

Uniclass L721113	EPIC H14/1
CI/SfB (74.449)	X

Discrete. Design. Delicious. It is that simple to describe Delight. Literally speaking, Delight values the D and fits most of the D-shaped pans. Wrap-over underlines the stringent design. The seat is available with or without soft close.



Pressalit Delight® with soft close, incl. D09 universal flex hinge  
Pressalit Delight® incl. D09 universal flex hinge

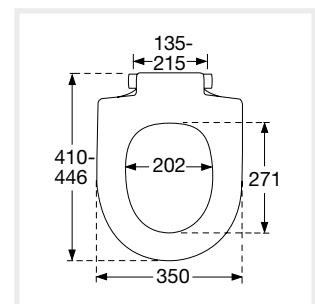
No. 492xxx-D09999 with cover  
No. 592xxx-D09999 with cover

*Design/Year*

Pressalit, 2007, registered trade mark

*Product Description*

PRESSALIT toilet seat with cover, model "Delight", art. no. 492/592 made of colour ingrained duroplast with hinges of stainless steel and plastic  
- with D09 universal flex hinge of stainless steel and plastic  
- centre distance: 135-215 mm  
- load - ring seat 240 kg  
- suitable for D-shaped toilets  
- 10 year guarantee

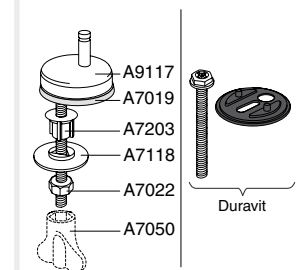


*Colour Programme xxx*

000 White, 001 Black, 273 Pergamon

*Alternative Hinge*

D01 Universal top mounted hinge  
D02 Universal Flex-toogle hinge

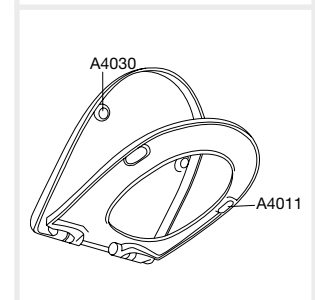


*Hinge Finish*

999 Stainless steel and plastic

*Spare Parts*

A4011 Buffer for pushing into seat, oval, grey  
A4030 Buffer for pushing into cover, round, grey



Seats for your senses

Pressalit Delight® with soft close, incl. D09 universal flex hinge  
Pressalit Delight® incl. D09 universal flex hinge

No. 492xxx-D09999 with cover  
No. 592xxx-D09999 with cover

**Product Weight**

Net weight approx. 3300 gr., incl. hinge

**Packaging**

	Dimensions:	Weight:
Single carton	482x381x80 mm	3600 gr
5 single cartons in a master carton	489x388x417 mm	18700 gr
12 master cartons (60) per pallet		

**Material Description**

**TOILET SEAT:**

The material is colour ingrained duroplast (UF A 10 = urea formaldehyde) that contains no environmentally hazardous substances. The body consists of approx. 50% urea (NH<sub>2</sub>CONH<sub>2</sub>), approx. 25% cellulose and approx. 25% formaldehyde (HCHO), as well as small amounts of various fillers and additives.

**BUFFERS:**

EVA (copolymer made of ethylene and vinyl acetate).

**DAMPER KIT:**

Hydraulic damper with plastic casing and metal shaft.  
Damper liquid: Silicone oil.

**MOUNT/HINGES:**

Stainless steel ASTM A351 grade CF-8.

Composition: chrome (cr) 18-21%, nickel (ni) 8-11%, carbon <0,08%, molybdenum, silicone, sulphur, titanium.

Plastic Grivory GV-5H.

**Suitability List**

Usable on D-shaped toilets - see the printed seat suitability specifications.

**Cleaning Instructions**

Use a mild soap solution. Seat and hinges should not be left damp, but be dried with a soft cloth. When using abrasive, corrosive or chlorine based cleaners for the bowl, avoid contact with seat and hinges. Therefore, when cleaning the bowl, make sure that seat and cover are in an upright position until all the cleaner has been flushed away.

The guarantee includes faults or defects in the material of our products within a period of 10 years.

Products subject to minor technical modifications and design deviations E. & O.E.



[www.pressalit.com](http://www.pressalit.com)

European Sales Agencies  
Unit 10c Tanfield Lea (North) Industrial Estate  
Tanfield Lea, Stanley  
Co Durham, DH99UU  
Tel. 01207 236622, Fax 01207 236633  
[info@europeansalesagencies.com](mailto:info@europeansalesagencies.com)  
[www.europeansalesagencies.com](http://www.europeansalesagencies.com)

Pressalit A/S  
Pressalitvej 1  
DK-8680 Ry  
Tel. (+45) 8788 8788  
Fax (+45) 8788 8789  
[pressalit@pressalit.com](mailto:pressalit@pressalit.com)  
- a division of Pressalit Group A/S



Seats for your senses