

# ROMAN®

Freedom

# Arc Enclosure

Instruction Manual



**Truelife Consumer  
Guarantee**

Please make sure the purchaser/end user completes and returns the Guarantee card which is enclosed with this product or registers on line at [www.roman-showers.com/register\\_guarantee.htm](http://www.roman-showers.com/register_guarantee.htm). Failure to validate the Roman Truelife Guarantee will mean only the 1 Year Statutory Guarantee will apply.

PRODUCT CODE REF:

## **IMPORTANT PRE-INSTALLATION CHECKS**

**Important: If you are fitting this product with integrated water delivery, the valve must be installed before tiling the showering area and before the installation of this product.**



1. Check you have the correct enclosure and tray. Please look at the labels on the side of the product packaging.
2. Check all the product components are in the box and the fixing kits are complete. Please check this with the component check list overleaf.
3. Un Pack your Roman product and handle it with care.
4. Please check the product for defects or damage. Once the installation has commenced Roman cannot accept responsibility for any defects or damage to the products.
5. Please take the time to read these instructions prior to installing your Roman Product.
6. Before you commence any drilling check there are no hidden electrical cables and/or water pipes in the walls.
7. No attempt should be made to re-work the toughened safety glass.
8. The installation should be performed by two persons.
9. It is strongly recommended the walls the Roman product is going to be installed on are vertical. However the wall profiles have 25mm of adjustment to help compensate for some deviation.
10. It is strongly recommended the Roman product is fitted on tiled surface or similar waterproof surface.
11. It is strongly recommended the walls are tiled and grouted after the installation of the tray and before the installation of the Roman product. This will provide maximum adjustment and help when sealing the product.
12. If the walls and/or the tray are not level you will not achieve maximum adjustment of the product.
13. Pictures used are for illustration purposes only, product designs may alter slightly as a result of continuing product development.
14. Roman do not stipulate where the European Standard Kite Mark should be positioned on the glass panels when being factory assembled.

## Component Check List: Supplied

Description	Quantity
Front Panel	1
Hinge Panel	1
Door	1
Wall Profiles	2
Wall Profile Trims	2
Handle Assemblies	1
Hinge Assemblies	2
Brace Bar Assembly	1
Door Bottom Seal	1

## Fixing Kit - Component Check list.

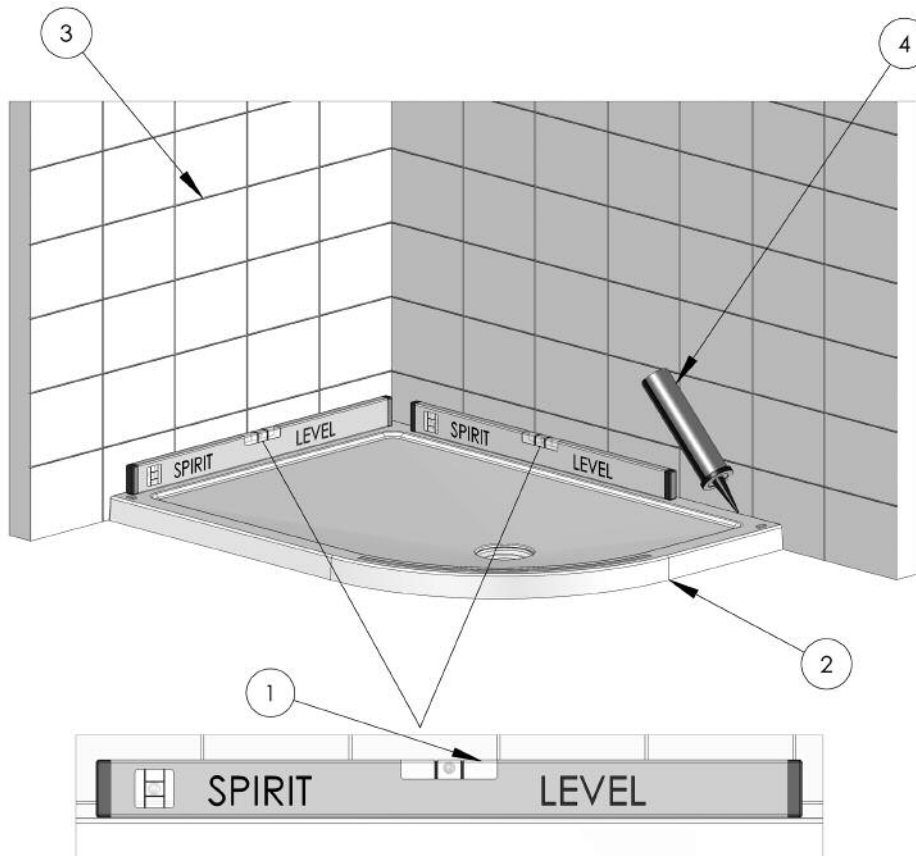
40 mm Screws	7
Wall Plugs	7
16mm Pan Head Screws	6
Roman Branding Badge	1
Profile Cover Caps	4
4mm Allen Key	1
3mm Allen Key	1
3mm Drill Bit	1
Location Pin	2

## Equipment Check List: Not Supplied

Description
Mains or Battery drill
6mm Masonry Drill Bit
Bathroom sealant gun
Bathroom sealant tube
Pozi Screw Driver
Spirit level
Tape measure
Pencil
Additional fixings if going into plaster board
10Nm Torque Wrench

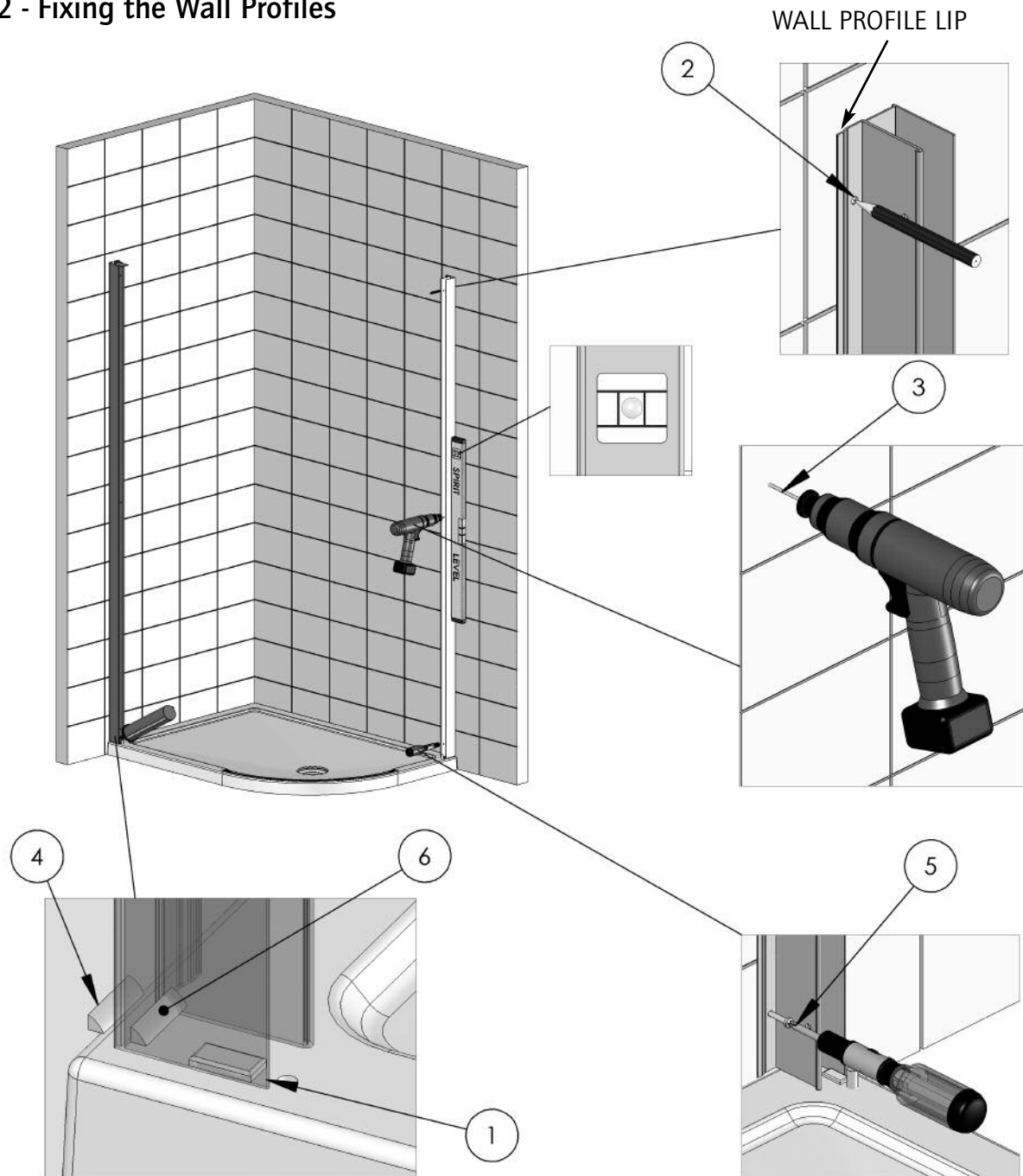
## IMPORTANT PRE-INSTALLATION CHECKS

### Step 1 - Checking the tray



1. Check the tray is level, on all sides (The bubble should be in the centre of the two lines on the spirit level).
2. Stand in the tray and check there is no adverse movement.
3. The walls should be tiled and grouted prior to installing the enclosure.
4. The tiles and the tray should be sealed, using bathroom sealant.
  - **Spray the seal and joints with the shower head and check for leaks.**
  - **Check the plumbing for leaks.**
  - **Do not grout the tiles when the enclosure has been fitted as the grout may discolour the aluminum profiles.**
  - **Make sure the tray is installed as per the manufacturers instructions.**
  - **When all of the above criteria is complete please proceed to the next step in these instructions.**

## Step 2 - Fixing the Wall Profiles

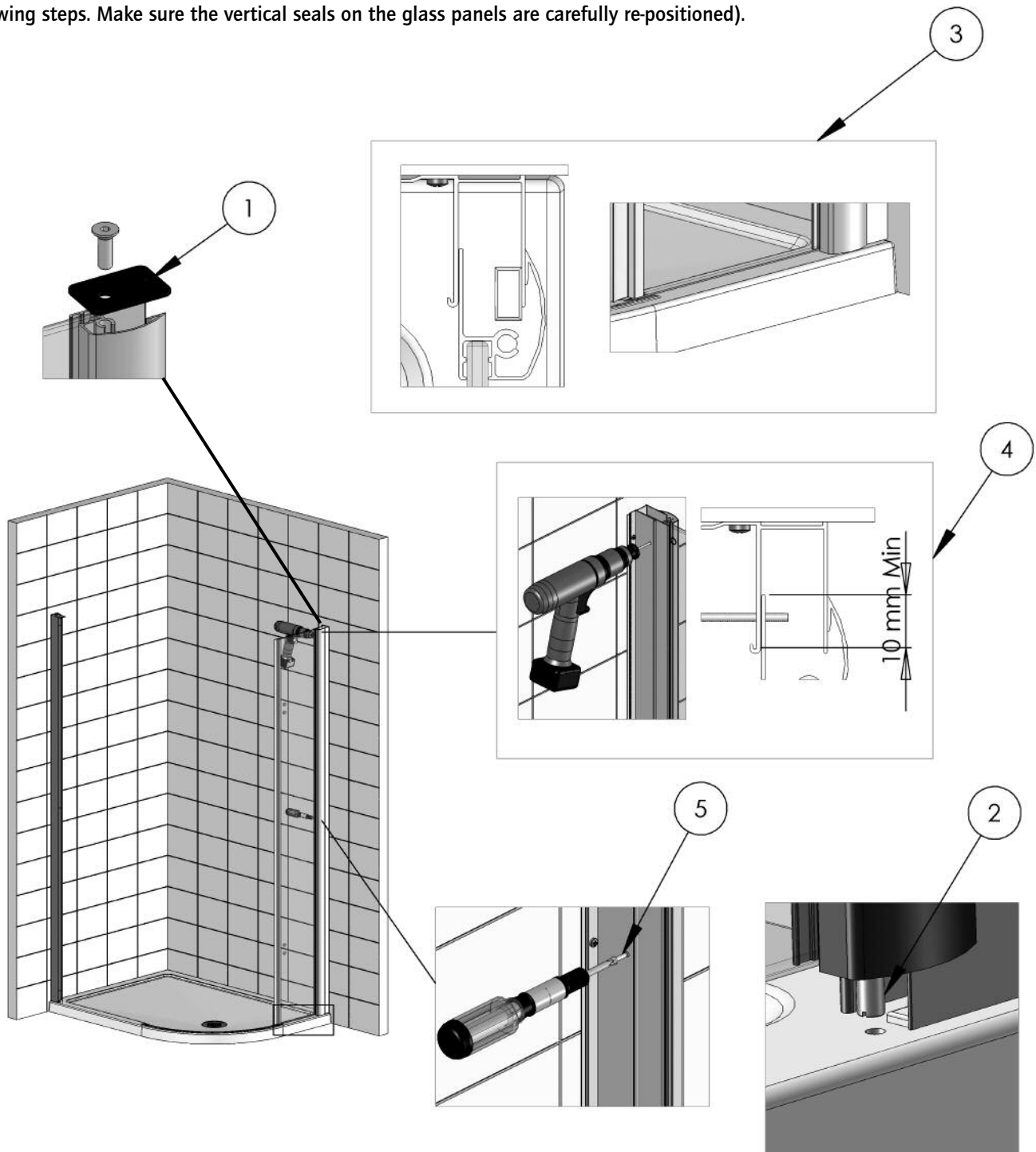


1. Position the wall profiles using the guides on the tray, the lip of the profiles face towards the inside of the enclosure (look at point 2 above).
  - **The wall profiles must be vertically level. Check using a spirit level. (The bubble should be in the centre of the two lines on the spirit level).**
2. Mark the locations for the drill holes using a pencil.
  - **Use the supplied wall plugs if fitting the wall profiles into brick or block work, if fitting into plasterboard, the appropriate fixings will need to be used.**
3. Drill the holes using 6mm masonry bit (not supplied). Then push the wall plugs in beyond the depth of the tile.
4. Apply sealant the width of the wall profiles, where they meet the tiles and the tray. (Important: failure to carry out this procedure can cause serious water damage and is not covered by the guarantee).
5. Fix the Wall Profiles using the 40 mm screws (supplied).
6. Apply Sealant to the inside of the wall profiles, where they meet the tray. (Important: failure to carry out this procedure can cause serious water damage and is not covered by the guarantee).
  - **(If you are fitting the enclosure straight to floor see the guidance page at the back of these instructions)**



### Step 3 - Fit the hinge panel.

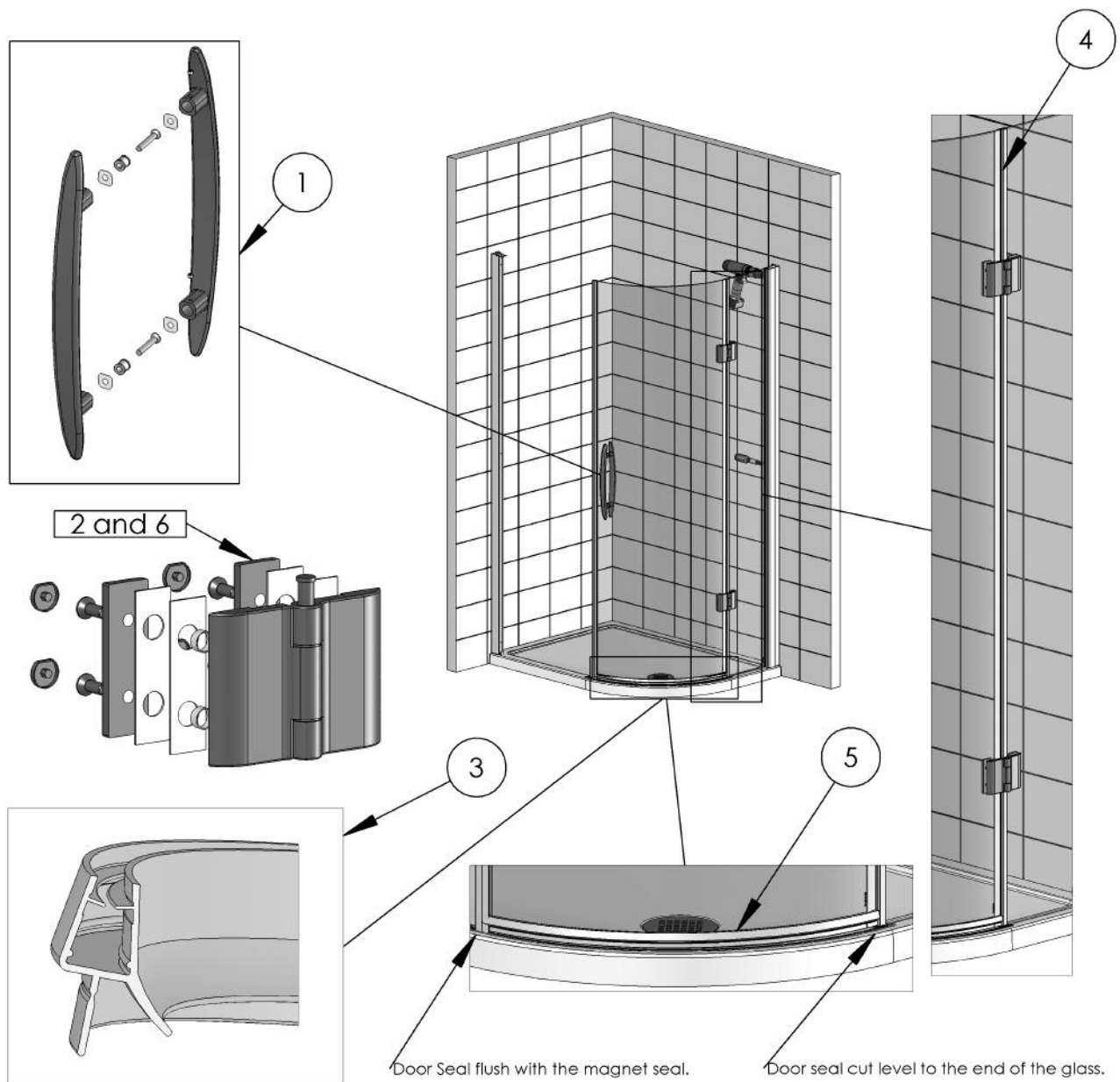
(Please ensure the transport bands are removed with care from the glass panels in this and the following steps. Make sure the vertical seals on the glass panels are carefully re-positioned).



1. Remove the black transit-caps from the hinge panel.
2. Screw a location pin into the bottom of the aluminum profile bonded to the hinge panel.
3. Offer the panel into location in the wall profile and position the location pin into the hole in the tray. Make sure the glass is sitting parallel to the side of the tray and sitting horizontally along the edge of the tray.
4. Drill through the pre-drilled holes of the wall profile using the 3mm drill bit.
5. Fix the panel to the wall profile using the 16mm pan head screws.

- (You may need help to perform the installation steps, particularly to lift and hold the glass panel in location).

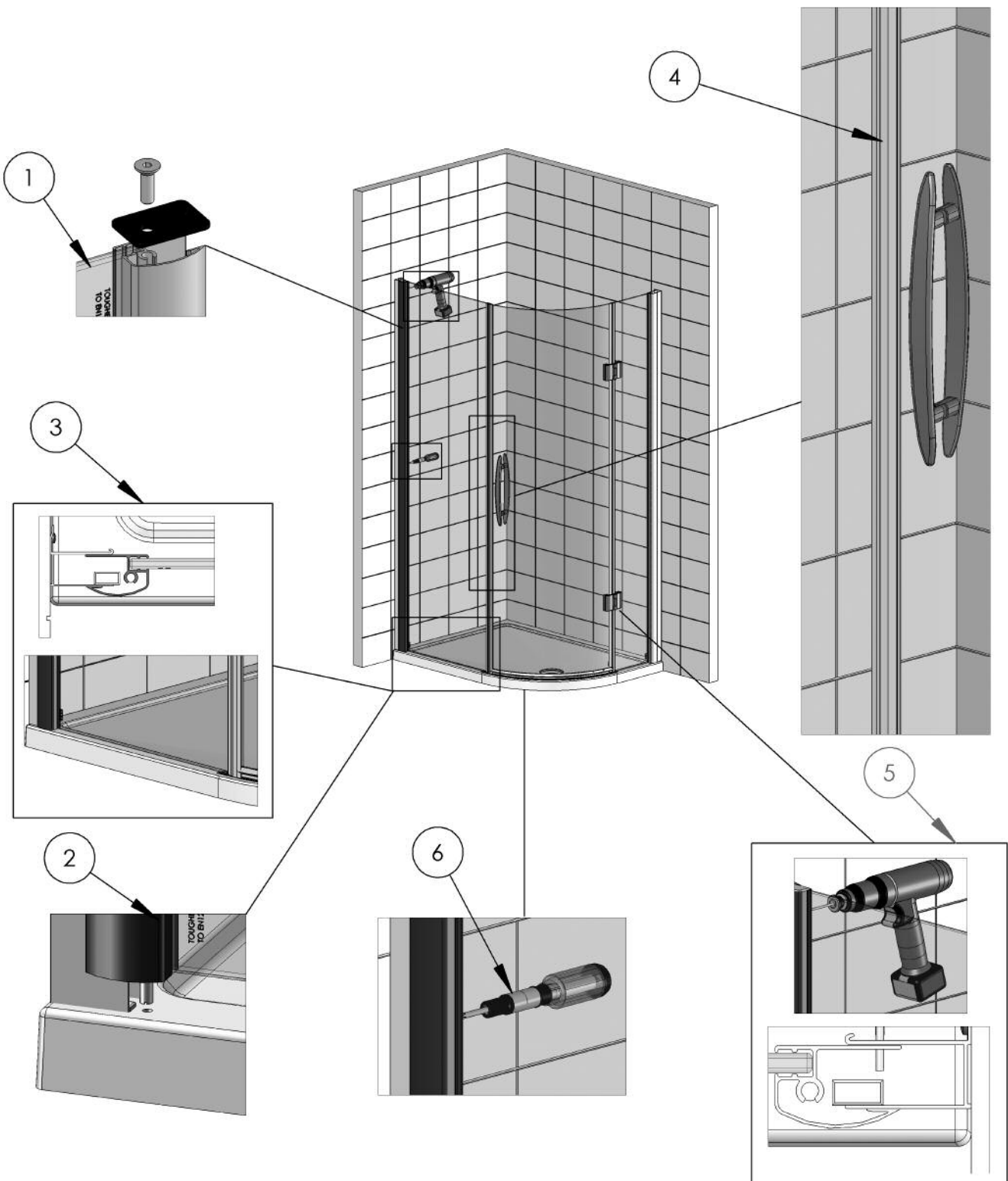
## Step 4 - Fit the door to the hinge panel



1. Assemble the handle onto the door. (There should be no metal touching the glass the spacers must be used).
2. Assemble the hinges onto the hinge panel. (There should be no metal touching the glass the spacers must be used). Loosely tighten the hinge bolts using an Allen key.
  - **Make sure the hinges are assembled the correct way up. The hinge pin in the centre should only be able to be removed from the top of the hinge. This is important take time to check this.**
3. Assemble the bottom seal onto the door and cut to length if necessary. The bottom seal must be positioned flush up against the vertical magnet seal at one end of the door, and cut level to the end of the glass at the other end of the door. See Fig: 5 (The seal must be cut square and accurately using a retraceable knife or alternative blade).
4. Lift the door towards the hinge panel and into location on the hinges. Make sure the panel seal flap sits behind the door glass. Assemble the hinges onto the door. (There should be no metal touching the glass the spacers should be used). Loosely tighten the hinge bolts using an Allen key.
5. Make sure the door deflector seal is locating its full length horizontally along the tray.
6. Align the hinges so they are at 90 degrees to the glass, check using a spirit level, when you are satisfied tighten the hinge bolts to 10Nm using a torque wrench.
  - **(You may need help to perform the installation steps, particularly to lift and hold the door in location).**



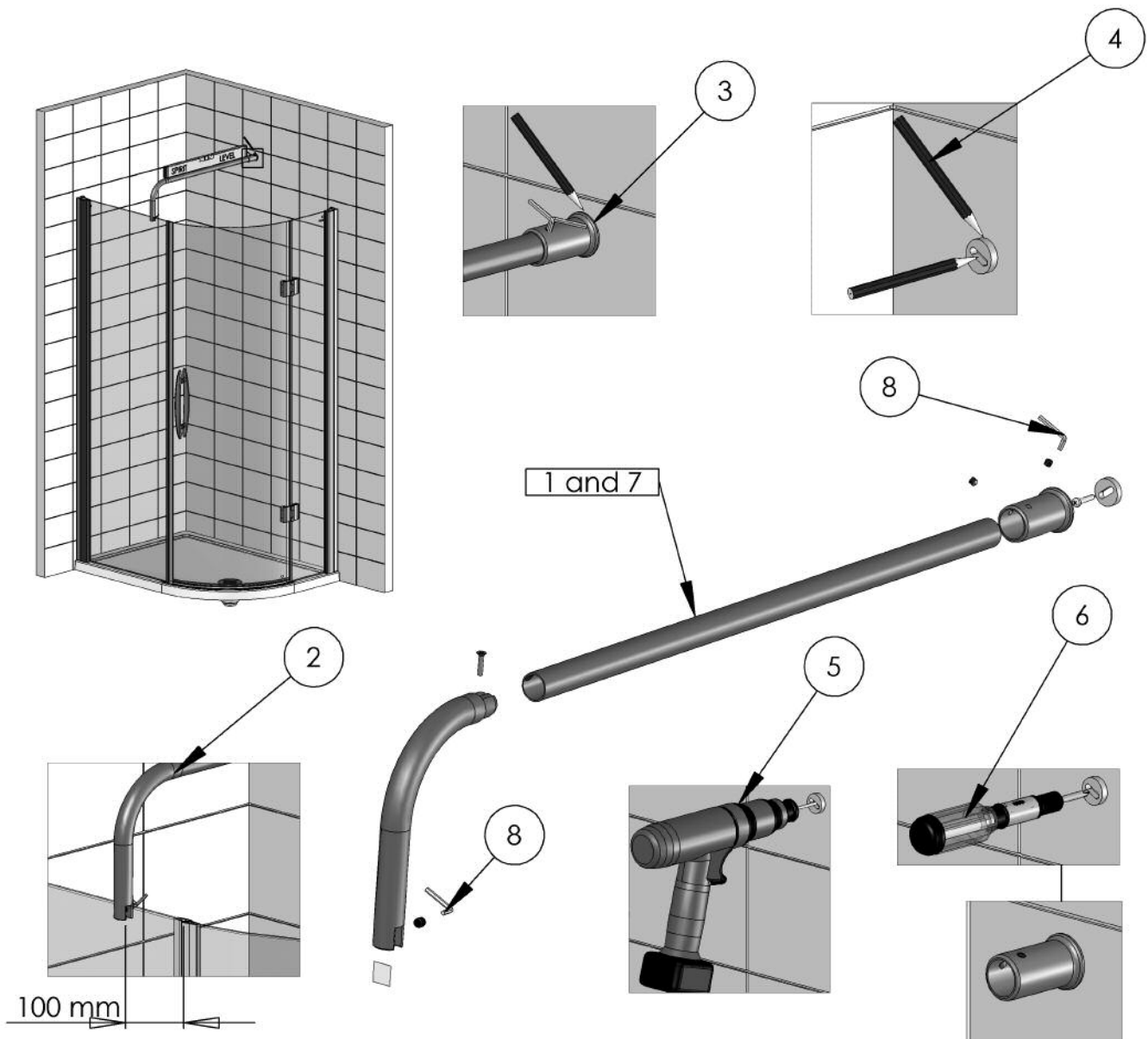
## Step 5 - Assemble the Front Panel and locate the Door.



1. Remove the transit caps from the glass panel.
2. Screw a location pin into the bottom of the aluminum profile assembled to the front panel.
3. Lift the front panel into location in the wall profile and position the location pin into the hole in the tray. Make sure the glass is running parallel to the front of the tray and sitting horizontally along the tray.
4. Close the door onto the front panel and align the front panel with the closed door, so the door and panel magnets locate evenly the full length. (You may need to move the magnets towards each other to achieve a seal).
5. Drill through the pre-drilled holes of the front panel.
6. Fix the panel into the wall profile using the supplied 16mm pan head screws.

- (You will need help to perform the installation steps, particularly to lift and hold the front panel into location).

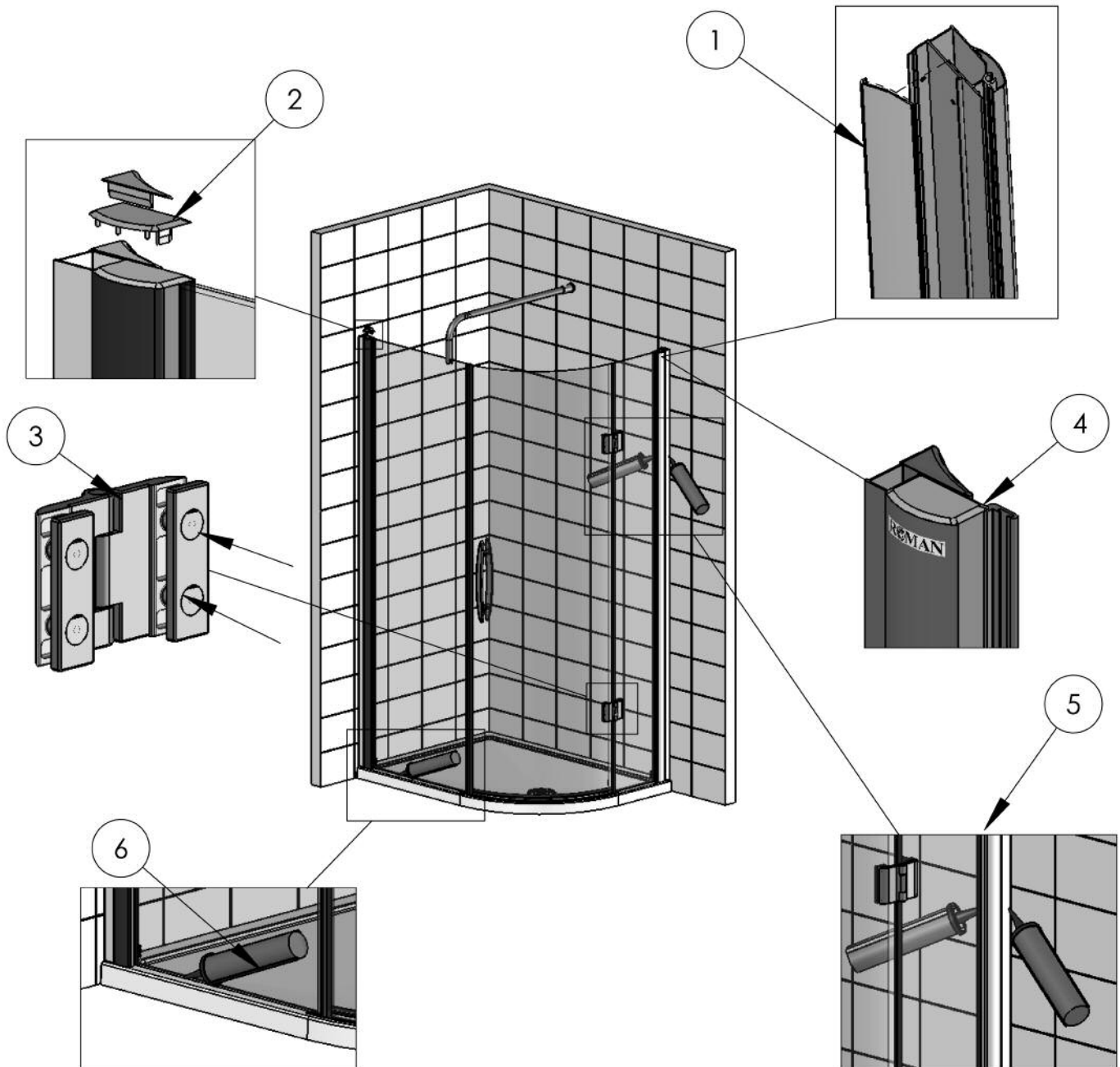
**Step 6 - Assemble the Brace Bar. (If you are fitting with integrated water delivery, please refer to your valve instructions for this step.)**



1. Assemble the straight section of the bracing bar to the 90 degree bend; then slide the wall cup onto the other end of the straight section to complete the bracing bar assembly.
  2. Position the full bracing assembly approx 100mm from the edge of the front panel. (There should be no metal touching the glass the spacers must be used). (Do not fix at this stage).
  3. Determine the location of the wall cup, and mark using a pencil. (Make sure the brace bar is level. The bubble should be in the centre of the two lines on the spirit level).
  4. Unscrew the brass insert from the wall cup and position it concentric to the pencil mark, mark the drill hole with a pencil.
  5. Drill the location hole for the wall cup using a 6mm masonry drill bit and insert the wall plug.
  6. Fix the insert using the supplied 40mm screw and then screw the wall cup onto the brass insert and tight upto the tiles.
  7. Assemble the bracing bar onto the front panel and into the wall cup. (There should be no metal touching the glass the spacers must be used).
  8. Tighten all the grub screws on the wall cup and the glass clamp using an Allen key when you are satisfied the brace bar has been adjusted correctly.
- There is 25mm of adjustment in the brace bar to allow correct alignment.
  - The brace bar must be level (The bubble should be in the centre of the two lines on the spirit level).
  - The Front Panel must be vertically level, make sure the brace bar is adjusted to achieve this. (The bubble should be in the centre of the two lines on the spirit level).

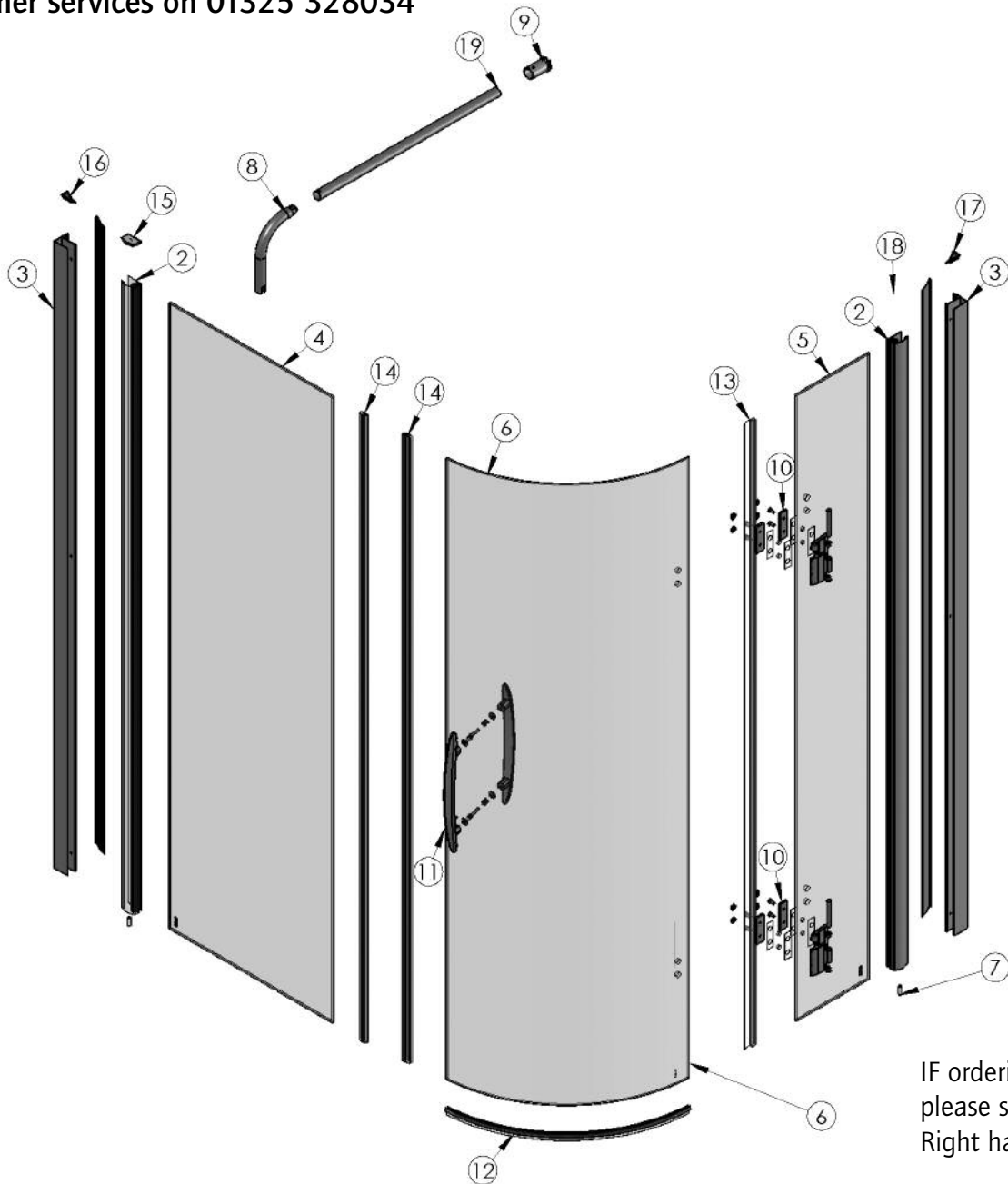


## Step 7 - Fix the Cover Caps and Seal the enclosure.



1. Clip on the wall profile cover trims. (They are designed to be a tight fit so take care).
  2. Place all the cover caps on the profiles. (R and L on the inside of the caps indicate the handing of the caps looking from the outside of the enclosure).
  3. Place the Hinge Cover caps over the screw heads.
  4. Stick on the Roman Branding Badge.
  5. Seal vertically the full length of the wall profiles/wall profile trims, where they meet the tiles on the inside of the enclosure, using bathroom sealant. Also seal vertically the full length of the wall profiles where they meet the tiles on the outside of the enclosure, using bathroom sealant.
  6. Seal horizontally the aluminum profiles and the glass panels on the outside of the enclosure at the bottom where they meet the tiles and the tray using bathroom sealant.
- (Please leave the sealant 24hrs to cure before use).
  - **IMPORTANT:** Failure to follow the procedure in steps 5 and 6 can result in serious water damage and is not covered by the guarantee.
  - (If you are fitting the enclosure with integrated water delivery please refer to your valve instructions to complete the installations).

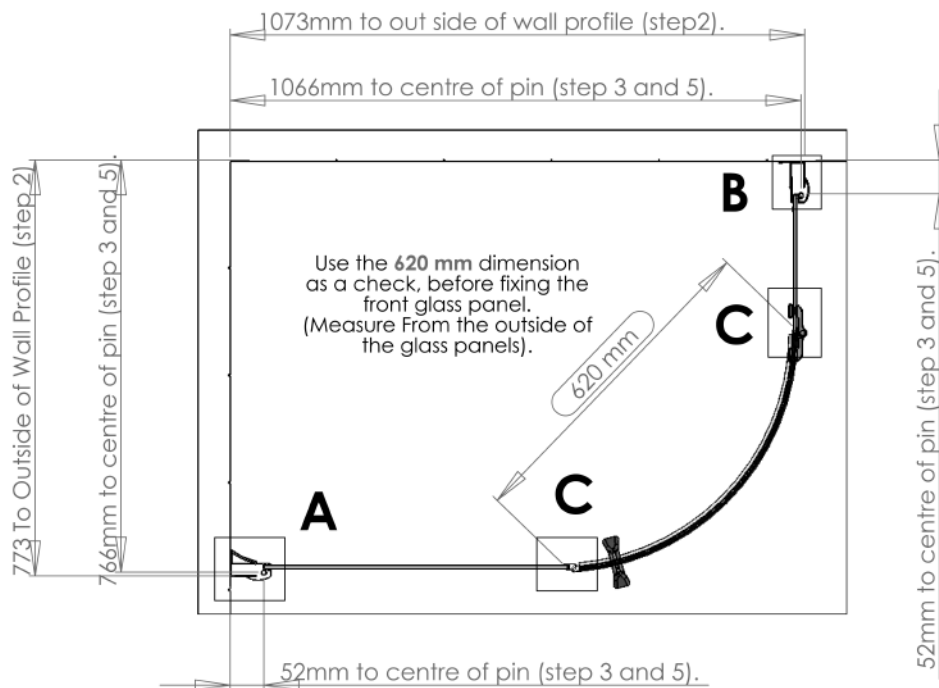
Spare Parts: If you require any spare parts, please look at the parts list below then call customer services on 01325 328034



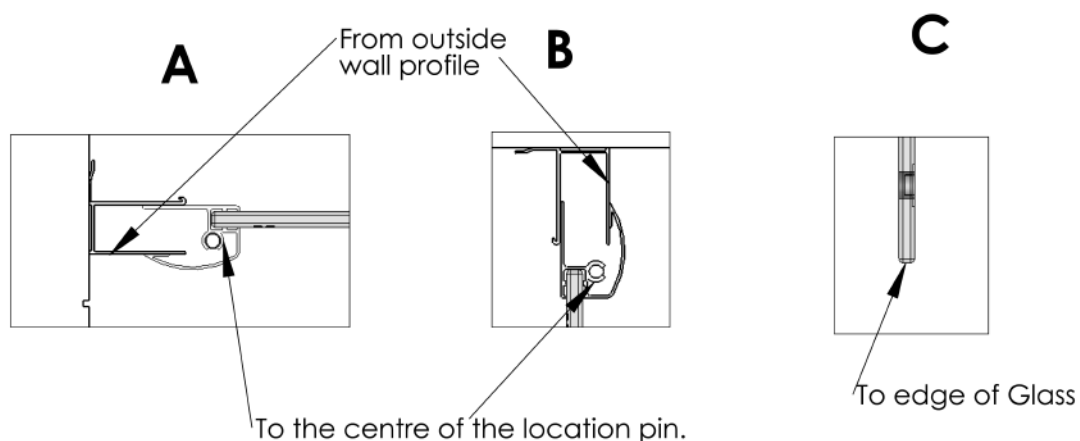
IF ordering part 5 please state: Left or Right hand.

ITEM NO.	Part Number	Colour	QTY	Description	Length (mm)
1	ROG02S	Silver	2	Screw Cover Trim	1900
2	ROF01S	Silver	2	Vertical Frame	1900
3	ROGWPS	Silver	2	Wall Profile	1900
4	OF01	Clear	1	8mm Toughened Glass	1899x575x8
5	OF03	Clear	1	8mm Toughened Glass	1899x260x8
6	OF04	Clear	1	6mm Curved Door Glass	
7	RMC0004	Silver	2	Pivot Pin	25
8	RMC0077	Silver	1	Freedom High Brace Joint	
9	RMC0054	Silver	1	Extended 25mm Brace Bar Wall Joint	
10	RMC0076	Silver	2	Freedom Hinge	
11	RMC0069	Silver	1	New Orbital Handle 240mm Centres	
12	RG0039	Clear	1	Bottom Seal	450
13	RG0130	Clear	1	Vertical Door Seal (C1064)	649
14	RG0092	Clear	2	Angled Magnet	1900
15	RIM0207	Chrome	1	Vertical Cover Cap (L-H)	
16	RIM0211	Chrome	1	Screw Cover Cap (L-H)	
17	RIM0210	Chrome	1	Screw Cover Cap (R-H)	
18	RIM0206	Chrome	1	Vertical Cover Cap (R-H)	
19	ROF10	Silver	1	25mm Brace Bar	630

## Straight to floor guidance



Below: Detail views of the above dimensions.



### Locating the wall profiles and using the panel location pins (steps 2, 3 and 5).

The measurements above need to be used to locate the wall profiles (step 2).

The location pin measurements above need to be used to located the glass panels (step 3 and 5).

1. In order to use the location pins follow the measurements above to determine the positions.
2. Drill a 9 mm diameter hole with a recommended depth of 10mm, using suitable a drill bit.
3. Screw the location pins into the bottom of the aluminum profiles on the glass panels.
4. Continue with the installation by following the instructions.

- **Caution:** Before you commence any drilling check there are no hidden electrical cables and/or water pipes under the floor and make sure you have enough depth in the floor to locate the pin. Do not puncture the wet room membrane during the drilling. If you are unsure about the installation seek professional advice.

The Location pins can be cut down from the non threaded end if required.

Should you experience any problems during installation please refer to the Trouble Shooting Guide (back page) or contact Roman Customer Services on: **01325 328034.**

To enable Customer Services to provide you with an excellent level of service it is important that you quote your Product Code and Reference Number - these numbers can be found on the front of your Instruction Manual

## TROUBLE SHOOTING GUIDE.

### Problem

### Solution

#### LEAKING

1. Check the enclosure has been sealed correctly as per the instructions:
2. The tray and tiles prior to the enclosure installation (Step 1).
3. The width of the wall profiles at the bottom where they meet the wall and the tray (Step 2).
4. Inside the wall profiles where they meet the tray (Step 2).
5. Vertically on the inside of the enclosure the full length of the wall profiles/wall profile trims where they meet the tiles (Step 7).
6. Vertically on the outside of the enclosure the full length of the wall profiles where they meet the tiles (Step 7).
7. Horizontally along the glass and aluminium on the outside only (Step 7).
8. Check the horizontal door seal is fully locating along the sealing strip on the tray (Step 4)
9. Check the bottom door seal has been cut accurately to locate onto the vertical seals at the bottom of the door and panel (step 4).
10. Check the vertical door and panel magnet seal are locating along the full length (Step 5).

#### ENCLOSURE

#### ALIGNMENT ON TRAY

1. Check the wall profiles have been installed as per the instructions:
2. Make sure they are vertically level (Step 2).
3. Check the tray installation (Step 1).
4. Check the brace bar has been installed as per the instructions:
5. Check the brace bar is level (Step 6).
6. Check the panels are vertically level (Step 6).

#### DOOR NOT OPERATING SMOOTHLY

1. Check the tray installation:
2. Check the tray is level (Step 1).
3. Check the wall profiles have been fitted as per the instructions:
4. Make sure they are vertically level (Step 2).
5. Check the panels have been fitted as per the instructions:
6. Make sure they are vertically and horizontally level (Step 3 and 5).
7. Check the hinges have been fitted as per the instructions:
8. Check the hinges are level (Step 4).

## Some important information to help you Maintain your Roman product.

The following information is all you need to keep your Roman Product looking new.

Roman Showering Products are designed for luxury showering and with care and attention you can keep them looking new for longer by using the strongly recommended Roman Ultra care. This is a multi-purpose glass protector that is applied after cleaning.

Alternatively you can clean your Roman Product using a mild detergent diluted in water and then polished off using a soft cloth.

If you live in a hard water area, periodically clean your Roman product using a 50/50 solution of white vinegar and water. The solution should be left on the enclosure for approximately 5 minutes then rinsed off using warm water. This method of cleaning should remove lime scale residue.

### Simple maintenance.

Roman Products are generally maintenance free, however it may be necessary to lubricate wheel assemblies and other moving parts from time to time. It is strongly recommended that a quality silicone spray is used.

### A list of Don'ts:

- 1 - Don't use acidic based products which are unsuitable for cleaning enamel surfaces.
- 2 - Don't use Abrasive cleaners or cleaners containing bleach or solvents, these products will adversely affect the finish of the aluminium profiles.
- 3 - Don't use scouring pads, powder or any sharp instruments when cleaning the enclosure.



## ULTRA CARE

THE MORE YOU SPRAY – THE MORE YOU PROTECT.

Roman Ultra Care is a product from Roman designed to give all your shower and bathroom surfaces a long-lasting sparkle. The benefit of Ultra Care is the more you spray, the more you protect.

Ultra Care is a multi-purpose glass protector that repels the build-up of grime, limescale and stains.

Roman Ultra Care was developed for Roman shower enclosures and screens. It is a unique and effective non-filming formula for all glass surfaces, tiles, shower seals and aluminium frames, taps, trays and baths.

*Why not try it on your car windscreen!*

For your nearest stockist please call +44 (0) 1325 328034

**ROMAN LIMITED, WHITWORTH AVENUE, AYCLIFFE INDUSTRIAL PARK, COUNTY DURHAM, DL5 6YN, ENGLAND, UK.**



**GENERAL RECEPTION:    PHONE +44 (0) 1325 311318    FAX +44 (0) 1325 319889**  
**CUSTOMER SERVICES:    PHONE +44 (0) 1325 328034    FAX +44 (0) 1325 328031**  
**SALES ENQUIRIES:        PHONE +44 (0) 1325 328033    FAX +44 (0) 1325 328027**

**[www.roman-showers.com](http://www.roman-showers.com)**