

Jupiter

Curved Bath Screen

Instruction Manual



Truelife Consumer Guarantee

Please make sure the purchaser/end user completes and returns the Guarantee card which is enclosed with this product or registers on line at www.roman-showers.com/register_guarantee.htm. Failure to validate the Roman Truelife Guarantee will mean only the 1 Year Statutory Guarantee will apply.

PRODUCT CODE REF:

IMPORTANT

- Please ensure the consumer guarantee card enclosed with this product is completed and returned to Roman; please ensure the end user retains this manual.
- Please read these instructions carefully prior to attempting installation.
- Unpack and handle the product with care to avoid damage to the product finish.
- Check for hidden electrical cables and water pipes prior to commencing any drilling work.
- Ensure the walls where the Bath Screen is to be fitted are vertical. **Note:** *It is recommended that the walls are tiled after the Bath is fitted and grouted before fitting the Bath Screen. This will help provide maximum adjustment and will aid sealing.*
- No attempt should be made to rework toughened safety glass.
- Pictures used are for illustration purposes only; product designs may alter slightly as a result of continuing product development.
- The Curved Bath Screen is designed for a shower head to be positioned **only** at the end of the bath - ensuring the spray is aimed down the full length of the Bath at all times.
- Roman over-bath products are not designed for use with Baths featuring shaped/stepped front or integral soap dishes.

Component Check List: Supplied

Ref	Description	Quantities
A	Wall Profile	1
B	Wall Rail	1
C	Curved Screen	1
D	Bottom Seal	1
Fitting Pack		
E	40mm Screws	3
F	Rawl Plugs	3
G	Self Tapping Screws	3
H	9mm Screws	3
I	Coloured Caps	3
J	Roman Branding Badge	1

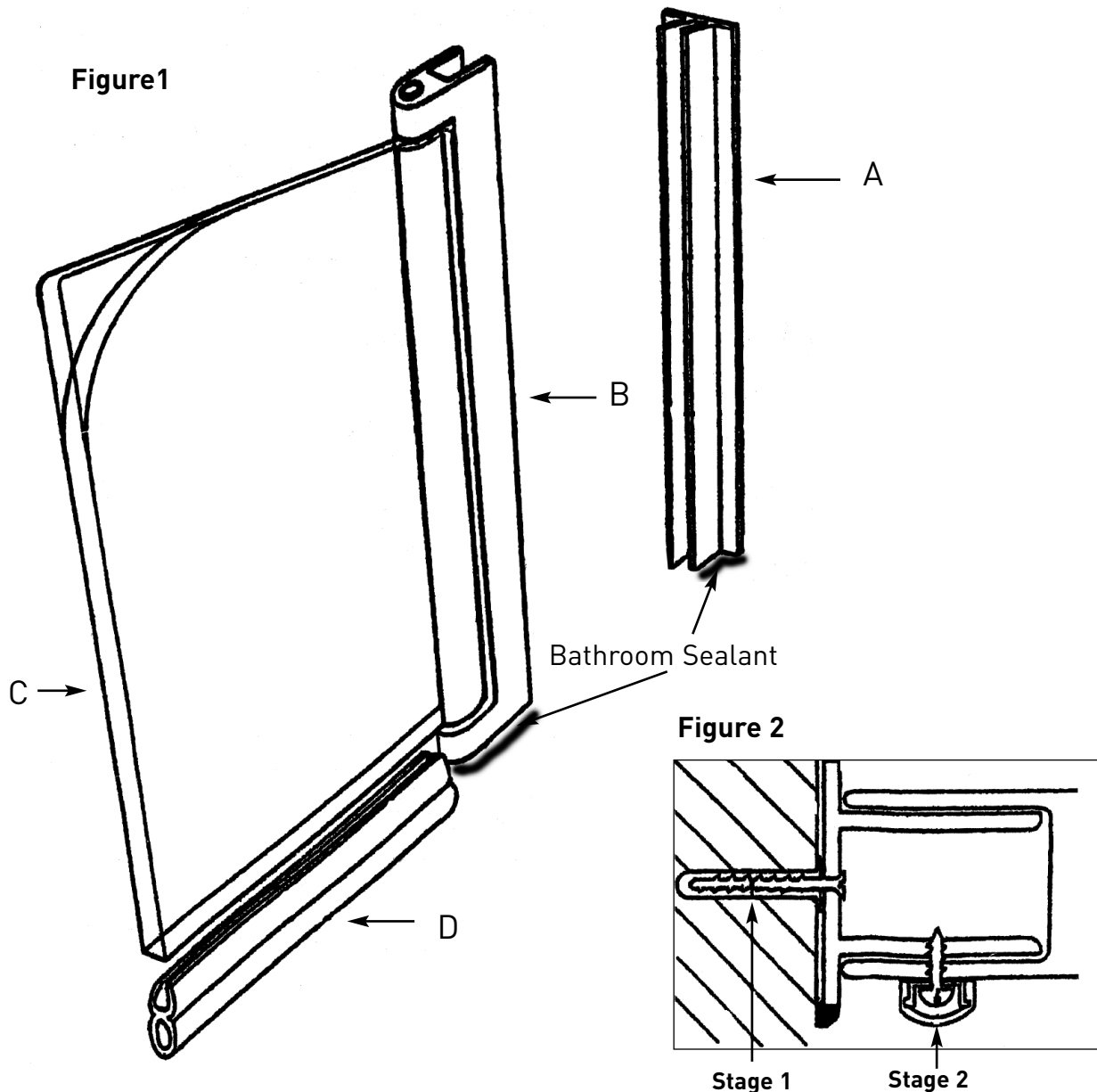
Equipment Checklist: Not Supplied

Electric Drill
Spirit Level
1 Posi Screwdriver
2.5mm Drill Bit
4.5mm Drill Bit
5.5mm Masonary Drill bit
Bathroom Sealant
Bathroom Sealant Gun

Before Assembly and Installation of the Curved Bath Screen

- Check to see that you have the correct Bath Screen for your Bath. This can be done by referring to the label on the side of the product packaging.
- Ensure all parts are in the packaging by checking them against the parts and quantities shown on the component check list above.
- Check the product for defects. Installation queries on damaged parts can not be resolved once the installation has been completed.
- The Bath must be completely sealed along tiled walls, fitted level (check with a Spirit Level) and should have no leaks.

Notes: *It is recommended that the Wall Profile be fitted directly onto tiles or a similar sealed surface. If walls or Bath or a combination of both are out of level you will not achieve full adjustment of maximum width. Roman do not stipulate where the British Standard Safety Kite Mark should be positioned on the glass panels when being factory assembled.*



ASSEMBLY AND FITTING INSTRUCTIONS - Please read carefully

- Stage 1** With a Spirit Level mark out and then drill the wall using a 5.5mm Masonry Drill (not supplied). Fix the Wall Profile (A) to the wall using three 40mm Screws (E) and Rawl Plugs (F) (**Figure 2 Stage 1.**)
Please Note: The bottom edge of the Wall Profile (A) must sit onto the top of the Bath and be approx. 35mm in from the inside edge of the Bath.
- Stage 2** Fit the Wall Rail (B) and Curved Screen (C) over the Wall Profile (A). Ensure that the Wall Rail is at a perfect right angle to the Bath and sits on top of the Bath.
- Stage 3** Move inside the Bath and drill three 2.5mm holes into the inside face of the Wall Rail (B) and through the Wall Profile (A). Take care that the Profile does not move during drilling. Using the three small Self Tapping Screws (G) and ensuring the Cover Cap Bases (I) are in place. This procedure should not commence until completely satisfied that the Wall Rail (B) is in the specified position.
- Stage 4** Slide the Bottom Seal (D) onto the bottom of the Curved Screen (C) to prevent water dripping out of the edge of the Bath and cut to length (**Figure 1**).
- Stage 5** We advise the use of a Bathroom Sealant along the Wall Profile (A) and around the base of the Wall Rail (B) (**Figure 1**). Once installation is complete push the Coloured Cover Caps (I) securely into place on all exposed fixings. Place the Roman Branding Badge (J) prominently on your product to complete your installation.
- Warning:** Ensure that both Pivot Pins are fully tightened. Failure to do so could result in the pins working loose and the Curved Bath Screen coming away from the wall.

Should you experience any problems during installation please refer back to your Instruction Manual, alternatively please contact Roman Customer Services on:

01325 328034.

To enable Customer Services to provide you with an excellent level of service it is important that you quote your Product Code and Reference Number - these numbers can be found on the front of your Instruction Manual

Maintaining Your Enclosure

DO NOT use acidic based descaler products or products which are unsuitable for cleaning enamel surfaces, including abrasive cleaners or cleaners containing bleach or solvents, as these products will affect both the anodised and coated framework.

NEVER use scouring powder or pads or sharp instruments when cleaning the enclosure.

Roman Shower Enclosures and Bath Screens are designed for luxury showering and with care and attention you can keep them looking new for longer by using the strongly recommended **Roman Ultra Care**, the multi-purpose glass protector after cleaning (*see back page for further details*). Alternatively, occasionally wipe your Roman Shower Enclosure with a mild detergent diluted with water and polish with a soft cloth. If you live in a hard water area, periodically clean with a 50/50 solution of white vinegar and soak for five minutes and remove any limescale residue by rinsing with warm water. Periodically clean the seals of your Enclosure with an anti-bacterial spray. This is all you require to keep the glass, seals and coated / anodised aluminium parts looking new.



Ultra Care

THE MORE YOU SPRAY – THE MORE YOU PROTECT.

Roman Ultra Care is a product from Roman designed to give all your shower and bathroom surfaces a long-lasting sparkle. The benefit of Ultra Care is the more you spray, the more you protect.

Ultra Care is a multi-purpose glass protector that repels the build-up of grime, limescale and stains.

Roman Ultra Care was developed for Roman shower enclosures and screens. It is a unique and effective non-filming formula for all glass surfaces, tiles, shower seals and aluminium frames, taps, trays and baths.

Why not try it on your car windscreen!

For your nearest stockist please call +44 (0) 1325 328034

ROMAN LIMITED, WHITWORTH AVENUE, AYCLIFFE INDUSTRIAL PARK, COUNTY DURHAM, DL5 6YN, ENGLAND, UK.

Member of



GENERAL RECEPTION: PHONE +44 (0) 1325 311318 FAX +44 (0) 1325 319889

CUSTOMER SERVICES: PHONE +44 (0) 1325 328034 FAX +44 (0) 1325 328031

SALES ENQUIRIES: PHONE +44 (0) 1325 328033 FAX +44 (0) 1325 328027

www.roman-showers.com