

ROMAN®

Orbital

Standard Quadrant

Instruction Manual



Truelife Consumer Guarantee

Please make sure the purchaser/end user completes and returns the Guarantee card which is enclosed with this product or registers on line at www.roman-showers.com/register_guarantee.htm. Failure to validate the Roman Truelife Guarantee will mean only the 1 Year Statutory Guarantee will apply.

PRODUCT CODE REF:

IMPORTANT PRE-INSTALLATION CHECKS



1. Check you have the correct enclosure and tray. Please look at the labels on the side of the product packaging.
2. Check all the product components are in the box and the fixing kits are complete. Please check this with the component check list overleaf.
3. Un Pack your Roman product and handle it with care.
4. Please check the product for defects or damage. Fitting the product is acceptance of quality and Roman cannot accept responsibility for any defects or damage to the products.
5. Please take the time to read these instructions prior to installing your Roman Product.
6. Before you commence any drilling check there are no hidden electrical cables and/or water pipes in the walls.
7. No attempt should be made to re-work the toughened safety glass.
8. The installation should be performed by two persons.
9. It is strongly recommended the walls the Roman product is going to be installed on are vertical. However the wall profiles have 25mm of adjustment to help compensate for some deviation.
10. It is strongly recommended the Roman product is fitted onto a tiled surface or a similar waterproof surface.
11. It is strongly recommended the walls are tiled and grouted after the installation of the tray and before the installation of the Roman product. This will provide maximum adjustment and help when sealing the product.
12. If the walls and/or the tray are not level you will not achieve maximum adjustment of the product.
13. Pictures used are for illustration purposes only, product designs may alter slightly as a result of continuing product development.
14. Roman do not stipulate where the European Standard Kite Mark should be positioned on the glass panels when being factory assembled.

Component Check List: Supplied

Description	Quantity
Wall Profiles	2
Wall Profile Cover Trims	2
Screw Cover Caps (L-H)	1
Vertical Cover Cap (L-H)	1
Fixed Panels	2
Glass Doors	2
Horizontal Rails	2
Wheel Assemblies	8
L-shaped Panel Seals	4
Vertical Cover Cap (R-H)	1
Screw Cover Cap (R-H)	1
Flipper Seals	4
Door Magnets	2
Door Handles	2

Fixing Kit - Component Check list.

40 mm Screws (Wall profiles)	6
Wall Plugs	6
Allen Key 4mm	1
Allen Key 2.5mm	1
Panhead Screws	6
3mm Drill Bit	1
Branding Badge	1
40mm Screws (Fixed Panel)	4

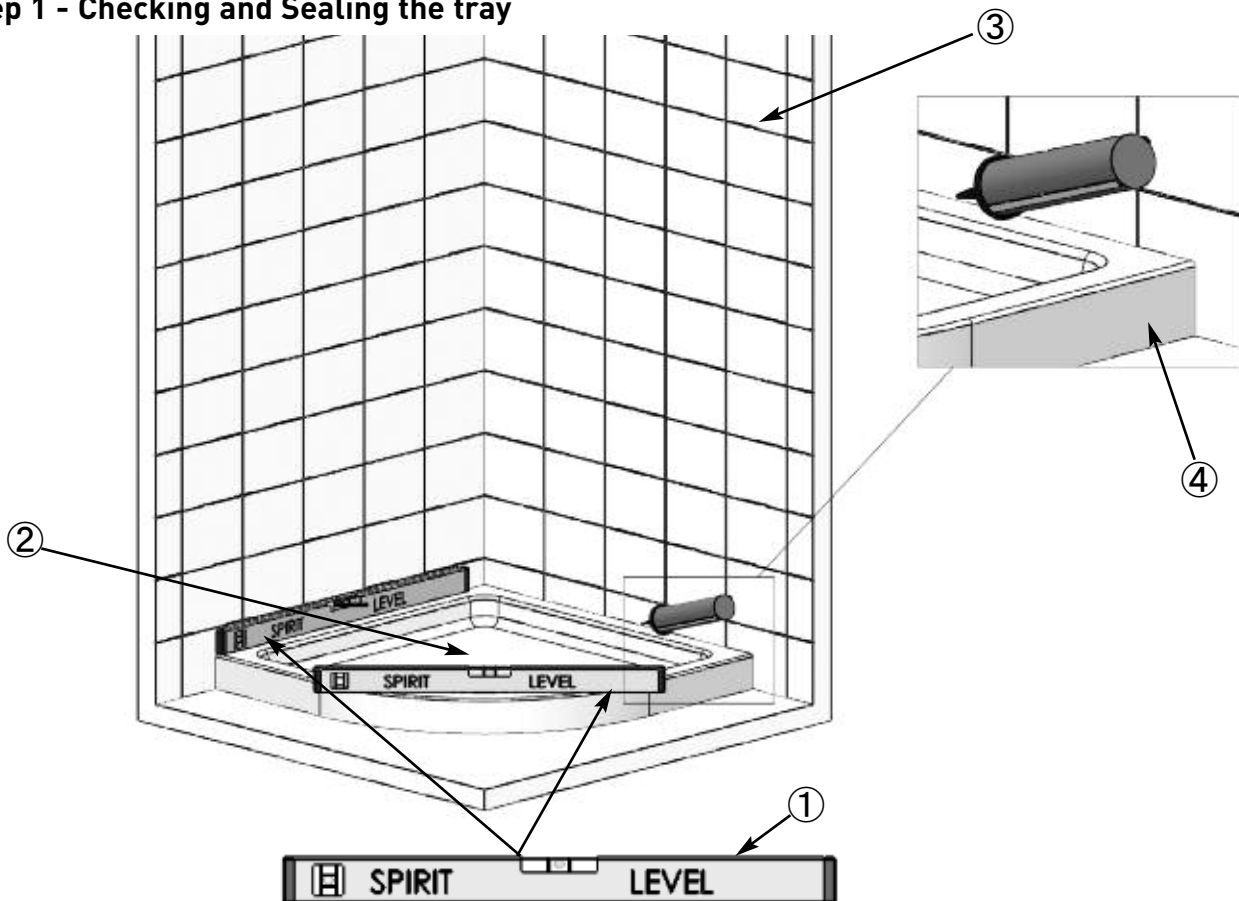
Equipment Check List: Not Supplied

Description

Mains or Battery drill
6mm Masonry Drill Bit
Bathroom sealant gun
Bathroom sealant tube
Pozi Screw Driver
Spirit level
Tape measure
Pencil
Additional fixings if going into plaster board

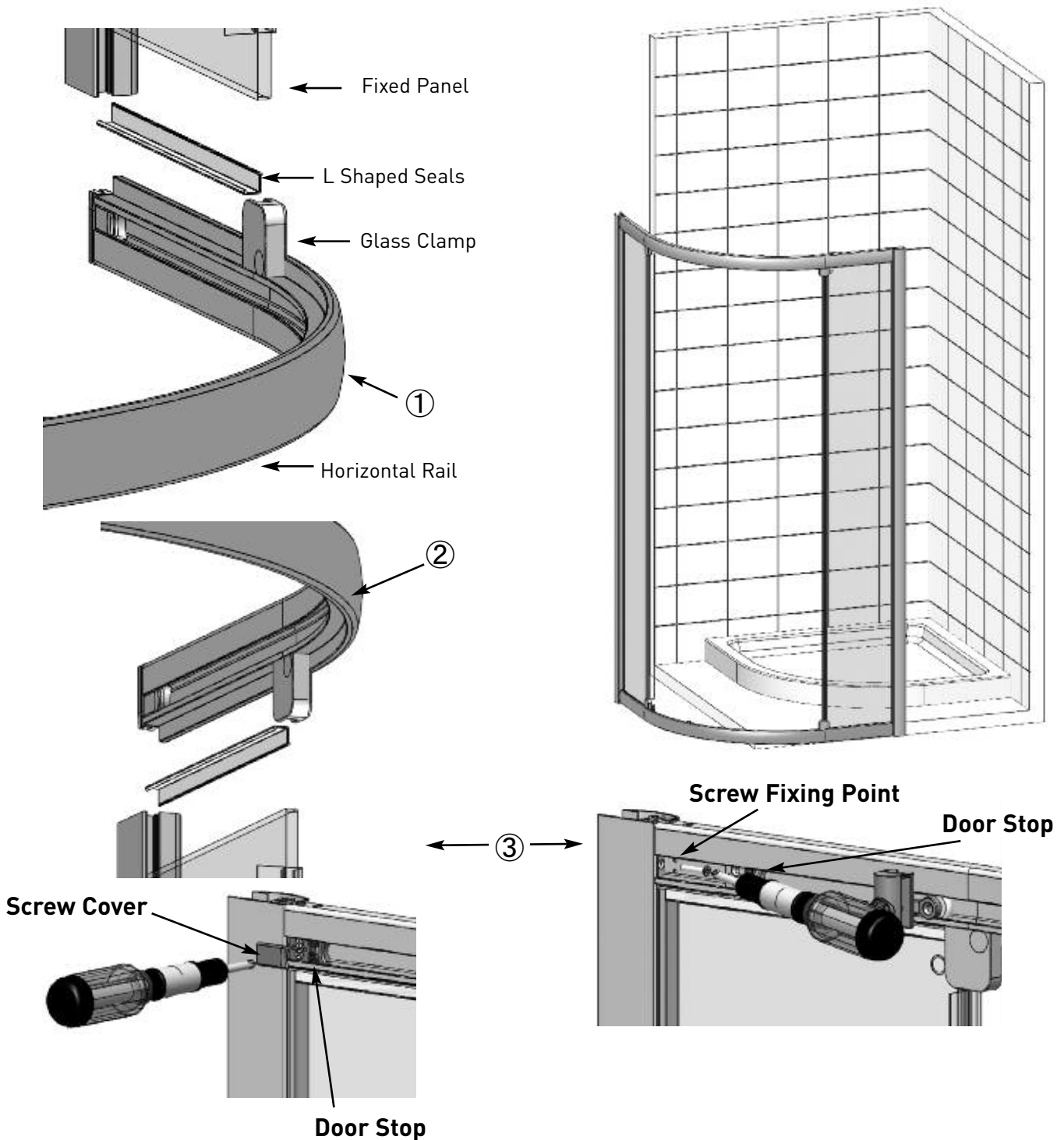
IMPORTANT PRE-INSTALLATION CHECKS

Step 1 - Checking and Sealing the tray



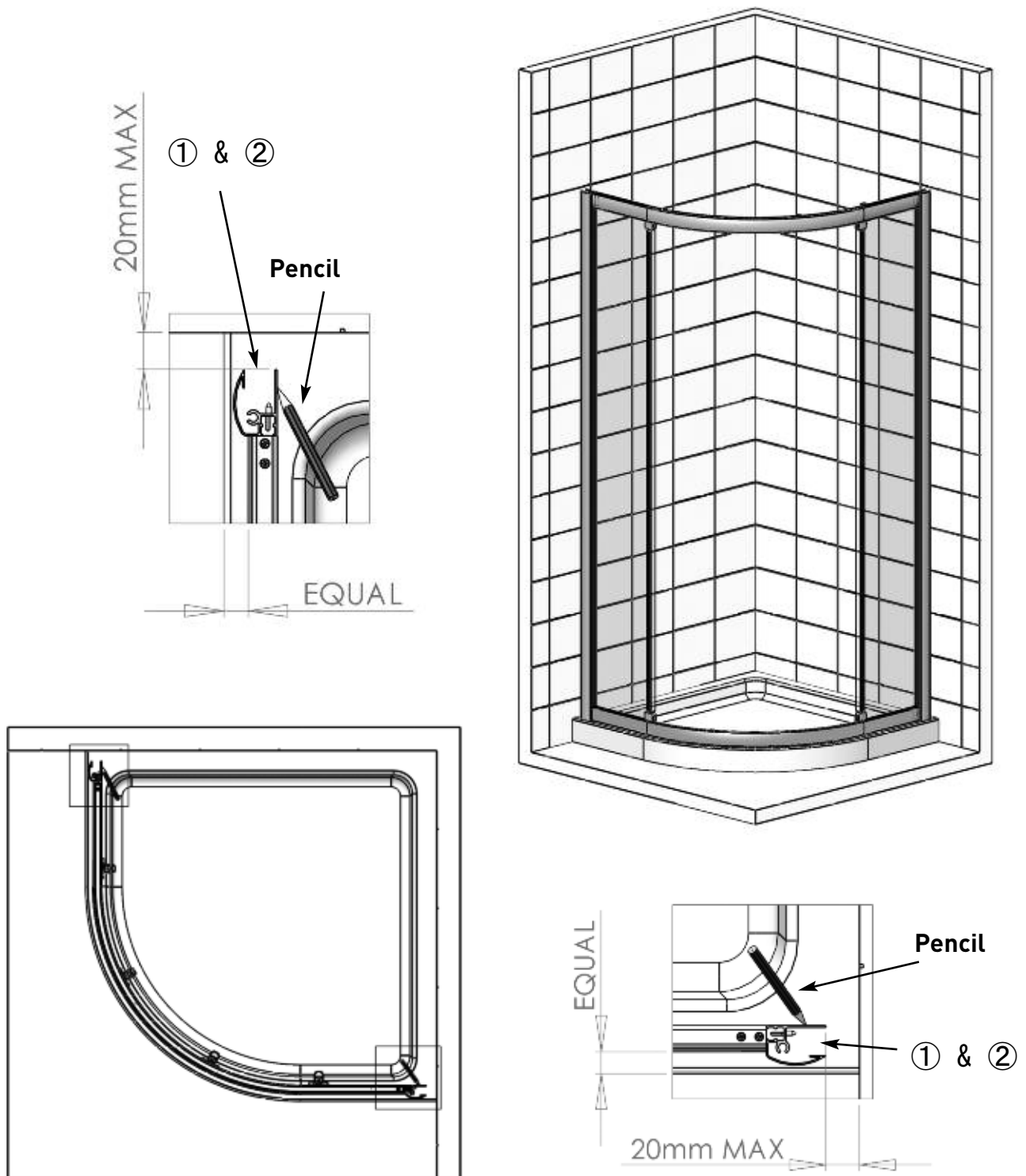
1. Check the tray is completely level on all sides (the bubble should be in the centre of the two lines on the spirit level).
2. Stand in the tray and check for no adverse movement.
3. The walls should be tiled and grouted up to the tray.
4. The tiles and the tray should be sealed, using a good quality bathroom sealant.
 - **Spray the seal and joints with the shower head and check for leaks when the silicon has cured.**
 - **Check the plumbing for leaks.**
 - **Do not plasterboard over the tray.**
 - **Do not grout the tiles when the enclosure has been fitted as the grout may discolour the aluminium profiles.**
 - **Make sure the tray has been installed as per manufacturers instructions.**
 - **When all of the above has been completed please proceed to the next step in these instructions**

Step 2 - Assemble the Horizontal Rails to both Fixed Panels



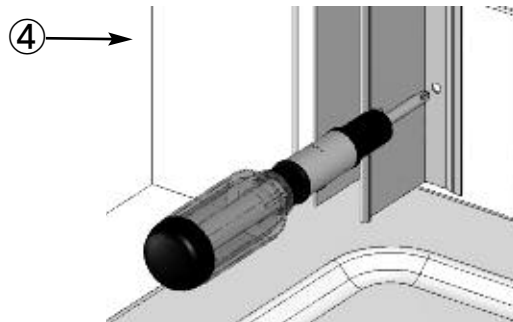
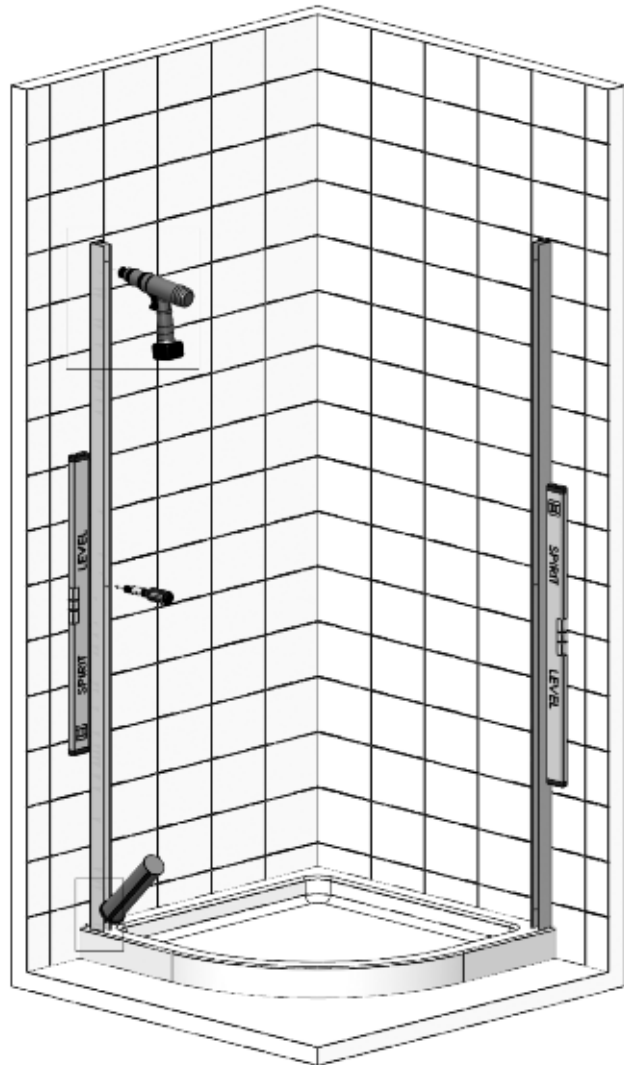
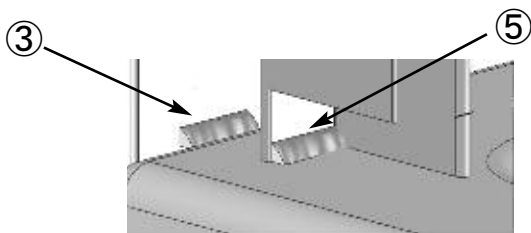
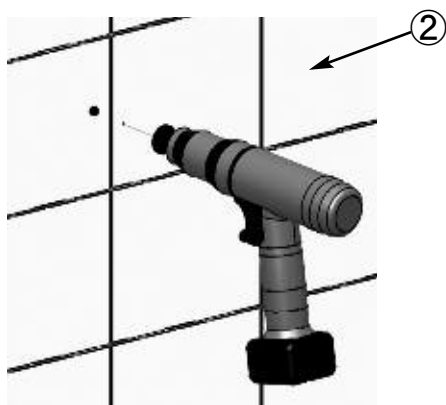
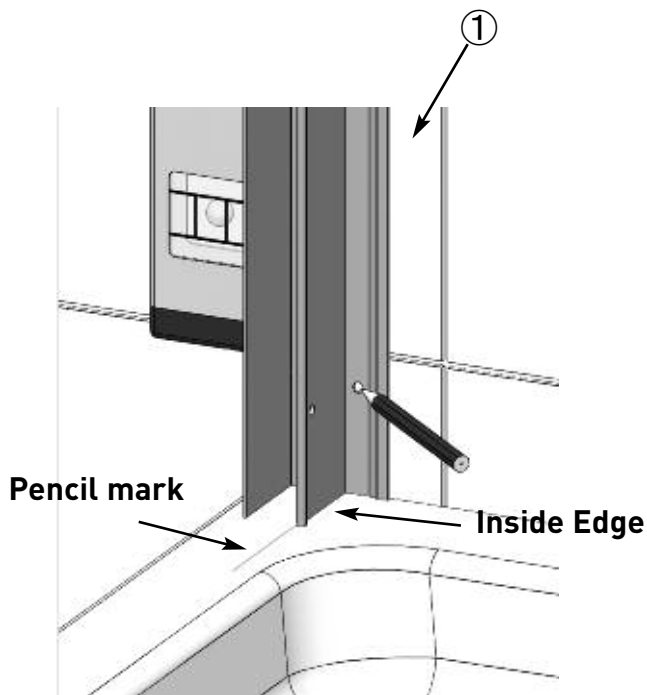
1. Position one of the horizontal rails onto the floor in front of the tray, locate one of the fixed panels down over the top of the horizontal rail (please ensure the L-shape seals are placed in between the horizontal rail and glass).
 - **Please ensure the glass clamp locates over the leading edge of the fixed panel.**
 - **Please repeat the above procedure to fit the second fixed panel.**
2. Locate the remaining horizontal rail down over the top of both fixed panels (please ensure the L-shape seals are placed between the horizontal rail and the glass).
 - **Please ensure the glass clamp locates over the leading edge of both fixed panels.**
3. To secure the horizontal rails to the fixed panels remove the screw cover from the doors stops and remove the screws using a screwdriver. Slide the door stops to one side and using the 40mm screws (supplied) screw-fix the horizontal rails to both fixed panels.
 - **Reposition and screw-fix the door stops.**
 - **You will need the help of an assistant during the installation of this enclosure.**

Step 3 - Aligning the Enclosure.



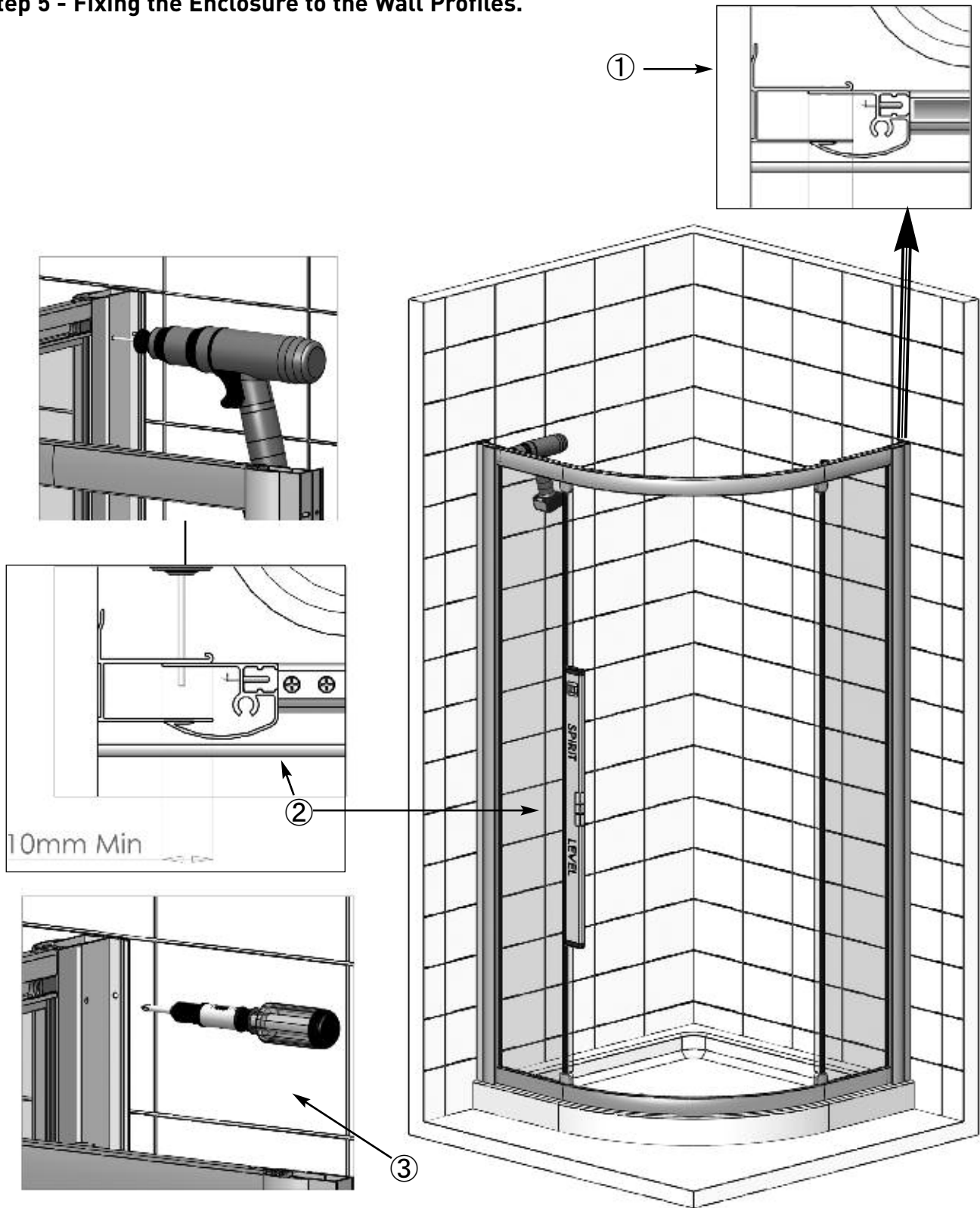
1. With the help of an assistant carefully lift the product onto the tray.
 - **Ensure there is an equal gap between the enclosure and the outer edge of the tray.**
2. For correct alignment of the enclosure please leave an equal gap between the tiled walls and fixed panels as shown above. Using a pencil, mark lightly where the aluminium profile on both fixed panels meets the tray (this will determine where you need to position the wall profiles in Step 4).
 - **The maximum gap is allowed between the tiled wall and both fixed panels is 20mm as shown above, do not exceed this.**
 - **Ensure you still have an equal gap between the enclosure and the outer edge of the tray.**

Step 4 - Fixing the Wall profiles



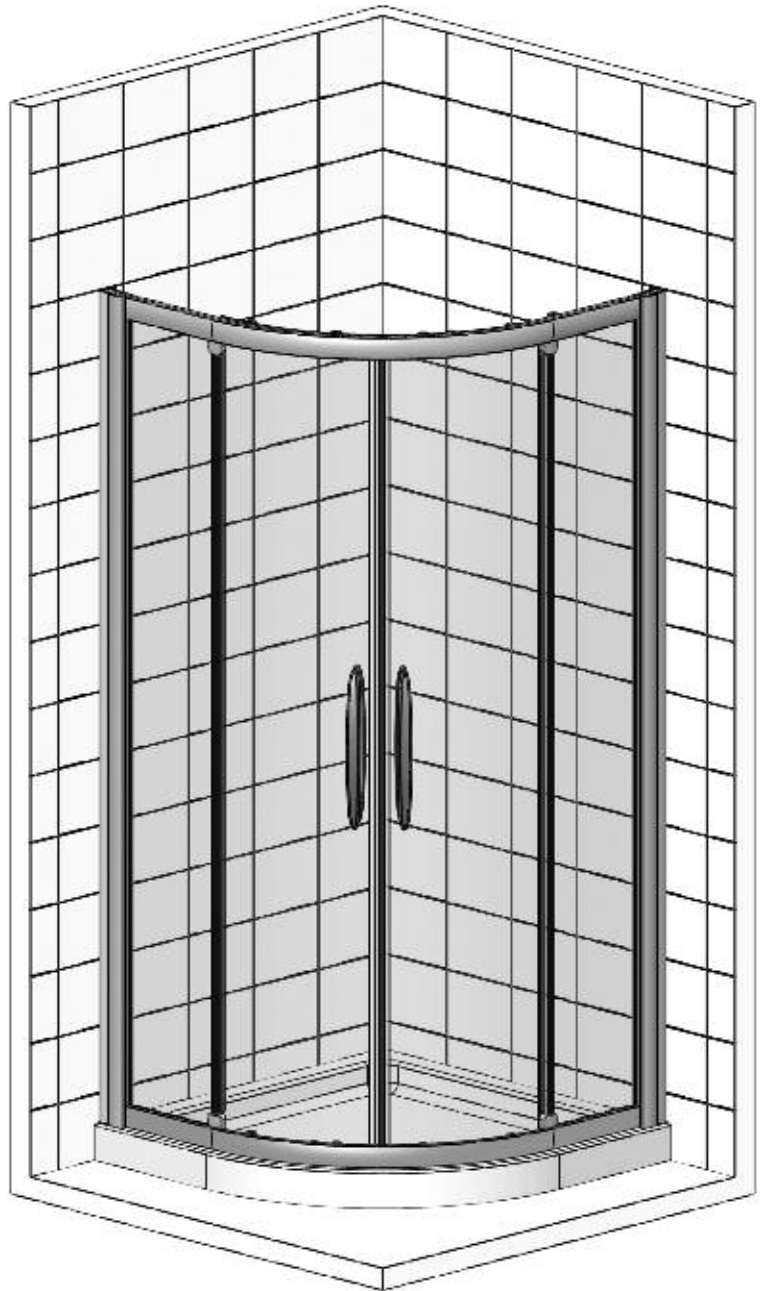
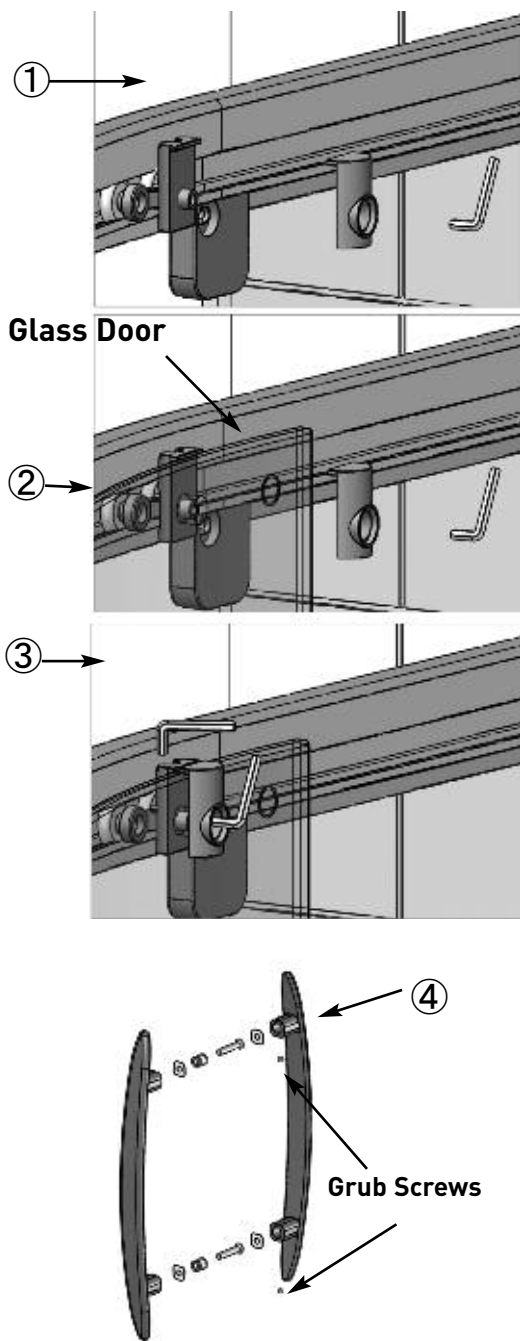
1. Position the inside edge of both wall profiles onto the pencil marks which were made in step 3, line 2. Using a pencil, mark the locations for the drill holes.
 - **The wall profile must be completely vertical (the bubble should be in the centre of the two lines on the spirit level).**
 - **The lip of the wall profile should face in towards the showering area.**
2. Drill the holes using 6mm masonry drill bit (not supplied). Push the wall plugs (supplied) into the holes drilled.
3. Apply a bead of silicon the width of the wall profile at the bottom where it will meet the tiled wall.
 - **IMPORTANT: failure to carry out this procedure can result in serious water damage and is not covered under the terms of the guarantee.**
4. Screw-fix the wall profiles to the wall using the 40mm screws (supplied).
 - **IMPORTANT: No sealant should be present between the wall profile and tiled wall vertically prior to screw fixing.**
5. Apply sealant to the inside of the wall profiles at the bottom where they meet the tray.
 - **IMPORTANT: failure to carry out this procedure can result in serious water damage and is not covered under the terms of the guarantee.**

Step 5 - Fixing the Enclosure to the Wall Profiles.



1. Offer the enclosure into location on the tray top and into the wall profiles.
 - **Check to see that the enclosure is sitting fully down on top of the tray and has an equal gap around the outside edge of the tray.**
2. Position a spirit level onto the leading edge of both fixed panels (the bubble should be in the centre of the two lines on the spirit level). Drill through the pre-drilled holes of the wall profile into the fixed panels with a 3mm drill bit (supplied).
 - **Ensure both fixed panels are completely vertical (the bubble should be in the centre of the two lines on the spirit level)**
 - **Important: Failure to get the fixed panels completely vertical can result in the doors hanging incorrectly.**
3. Using a screw driver screw-fix the enclosure to the wall profiles using the supplied pan head screws.

Step 6 - Fitting the Doors

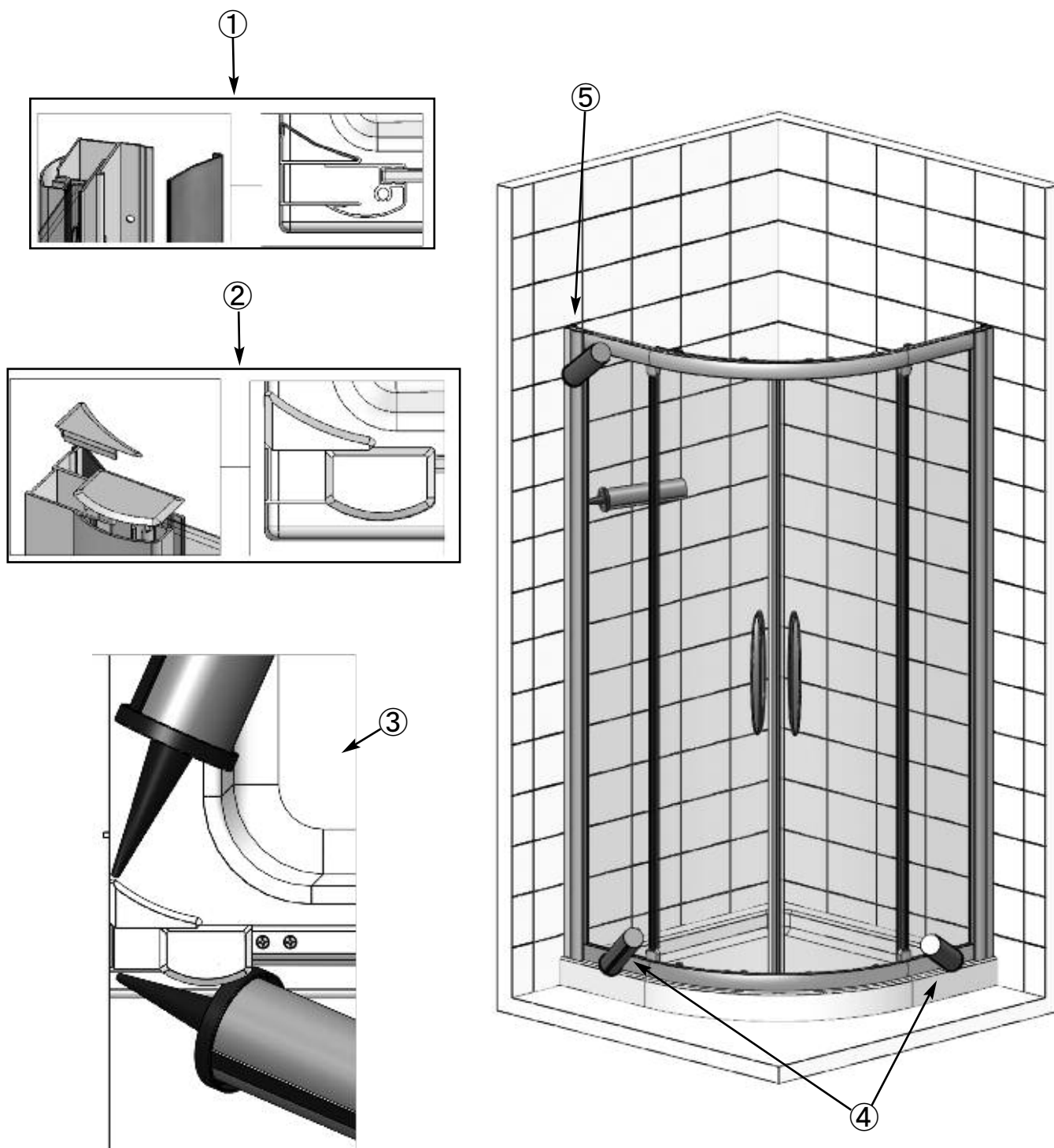


1. Using an allen key (supplied) move inside the enclosure and remove all the screws and brackets from all the wheel assemblies which are situated in the horizontal rails top and bottom.
2. Lift one of the curved doors to the required height and reposition the screws and brackets to the door as shown.
 - **Please follow the exact same procedure to fit the remaining door**
3. If the doors do not meet parallel to each other (hanging vertically), you have further adjustment at the top of each wheel assembly. Using an allen key (supplied) turn the adjustment screw. Turning the adjustment screw clockwise will lift the door, and turning the adjustment screw anti clockwise will lower the door.
 - **Do not over tighten the adjustment screw; you have 5mm of adjustment on each wheel.**

TIP: If you still have a slight gap between the doors pull the magnet seals towards each other to resolve problem.

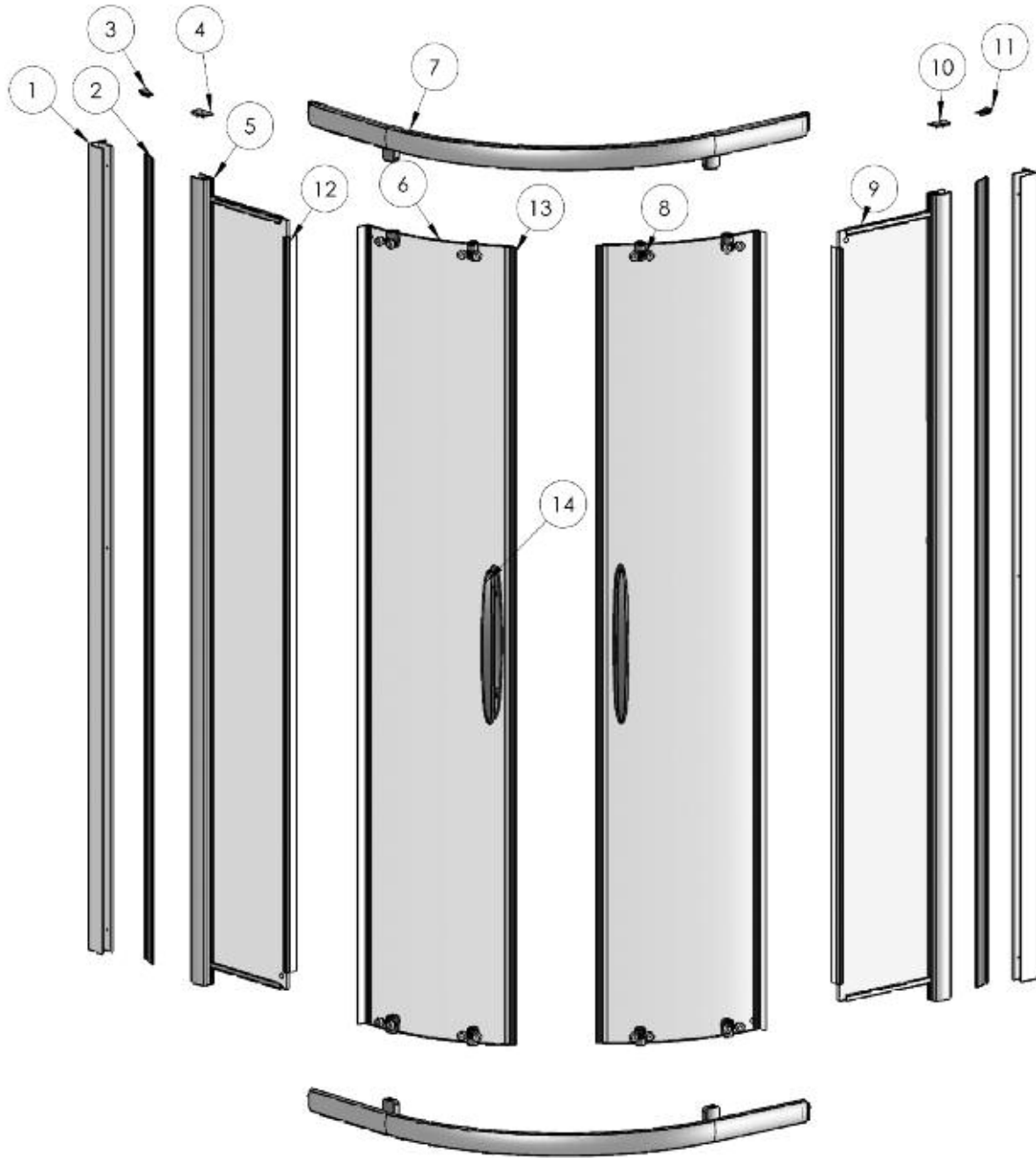
4. Remove the handle from the packaging, using an allen key (supplied) loosen the grub screws to dismantle and then re-assemble onto the door as shown.

Step 7 - Fit the Cover Trims and Seal the enclosure.



1. Clip on the wall profile cover trims. (They are designed to be a tight fit so take care)
2. Place all the cover caps on the profiles. (R & L on the inside of the caps indicate the handing of the caps looking from the outside of the enclosure).
3. Seal both sides of the wall profiles vertically inside and outside where they meet the tiled walls.
4. Fully seal the base of the enclosure to the tray top on the outside only.
 - **Very important: failure to follow the procedure in lines 3 – 4 may result in serious water damage and is not covered under the terms of the guarantee.**
 - **Please allow at least 24 hours for the sealant to fully cure prior to using the enclosure.**
5. Stick on the branding badge.

Spare Parts: If you require any spare parts, please look at the parts list below then call customer relations on 01325 328034



Item No.	Description	Quantity
1	Wall Profiles	2
2	Wall Profile Cover Trims	2
3	Screw Cover Cap (L-H)	1
4	Vertical Cover Cap (L-H)	1
5	Fixed Panels	2
6	Glass Doors	2
7	Horizontal Rails	2
8	Wheel Assemblies	8
9	L-Shaped Panel Seals	4
10	Vertical Cover Cap (R-H)	1
11	Screw Cover Cap (R-H)	1
12	Flipper Seals	4
13	Door Magnets	2
14	Door Handles	2

TROUBLE SHOOTING GUIDE.

Problem	Solution
Leaking:	<ol style="list-style-type: none"> 1. Check the tray has been sealed correctly prior to installation of the enclosure Step 1. 2. Check there is a bead of silicon the width of the wall profile Step 4, line 3 3. Check the inside gap has been sealed correctly between the tray and wall profiles Step 4, line 5. 4. Check that the base of the enclosure is sealed to the tray top from the outside only Step 7, line 4. 5. Check to see if both wall profiles have been sealed vertically inside and outside where they meet the tiled wall Step 7, line 3. 6. Check that the base of the enclosure hasn't been sealed to the tray top on the inside of the cubicle. <p>Important: This enclosure should be water tested conforming to BS EN 14428 2004</p>
Enclosure Alignment:	<ol style="list-style-type: none"> 1. Check to see that the enclosure has been fitted onto a tiled wall or similar sealed surface. 2. Check that the enclosure was aligned correctly prior to fixing the wall profiles Step 3. 3. Check that the wall profiles have been fitted completely vertical (the bubble must be in the centre of the two lines on a spirit level) Step 4. 4. Check the tray has the same radius to that of the enclosure.
Doors not sliding smoothly:	<ol style="list-style-type: none"> 1. Check that the tray is completely level (the bubble must be in the centre of the two lines on a spirit level) Step 1. 2. Check that the wall profiles are completely vertical (the bubble must be in the centre of the two lines on a spirit level) Step 4. 3. Check that the doors are hanging vertical to each other and running parallel to each other Step 6, line 3. 4. Check that the Channels which the doors slide in has got some silicon lubrication gel in. (If not, please apply some form of lubrication agent in the channels). 5. Check the wheel assemblies have been adjusted correctly Step 6, line 3. 6. Check that the fixed panels are completely vertical (the bubble should be in the centre of the two lines) Step 5, Line 2
Door Alignment:	<ol style="list-style-type: none"> 1. Ensure the tray is completely level (the bubble must be in the centre of the two lines on a spirit level) Step 1. 2. Ensure both wall profiles are vertical (the bubble must be in the centre of the two lines on a spirit level) Step 4. 3. Ensure both fixed panels are completely vertical (the bubble must be in the centre of the two lines on a spirit level) Step 5, line 2. 4. Ensure the Enclosure is completely vertical and level (the bubble must be in the centre of the two lines on a spirit level). 5. Check that the doors are hanging vertical to each other and running parallel to each other Step 6, line 3.
Gap Between Doors:	<ol style="list-style-type: none"> 1. Check the wheel assemblies have been adjusted correctly Step 6, Line 3 2. Have the magnet seals been pulled towards each other Step 6.

Some important information to help you Maintain your Roman product.

The following information is all you need to keep your Roman Product looking new.

Roman Showering Products are designed for luxury showering and with care and attention you can keep them looking new for longer by using the strongly recommended Roman Ultra care. This is a multi-purpose glass protector that is applied after cleaning.

Alternatively you can clean your Roman Product using a mild detergent diluted in water and then polished off using a soft cloth.

If you live in a hard water area, periodically clean your Roman product using a 50/50 solution of white vinegar and water. The solution should be left on the enclosure for approximately 5 minutes then rinsed off using warm water. This method of cleaning should remove lime scale residue.

Simple maintenance.

Roman Products are generally maintenance free, however it may be necessary to lubricate wheel assemblies and other moving parts from time to time. It is strongly recommended that a quality silicone spray is used.

A list of Don'ts:

- 1 - Don't use acidic based products which are unsuitable for cleaning enamel surfaces.
- 2 - Don't use Abrasive cleaners or cleaners containing bleach or solvents, these products will adversely affect the finish of the aluminium profiles.
- 3 - Don't use scouring pads, powder or any sharp instruments when cleaning the enclosure.



ULTRA CARE

THE MORE YOU SPRAY – THE MORE YOU PROTECT.

Roman Ultra Care is a product from Roman designed to give all your shower and bathroom surfaces a long-lasting sparkle. The benefit of Ultra Care is the more you spray, the more you protect.

Ultra Care is a multi-purpose glass protector that repels the build-up of grime, limescale and stains.

Roman Ultra Care was developed for Roman shower enclosures and screens. It is a unique and effective non-filming formula for all glass surfaces, tiles, shower seals and aluminium frames, taps, trays and baths.

Why not try it on your car windscreen!

For your nearest stockist please call +44 (0) 1325 328034

ROMAN LIMITED, WHITWORTH AVENUE, AYCLIFFE INDUSTRIAL PARK, COUNTY DURHAM, DL5 6YN, ENGLAND, UK.



GENERAL RECEPTION:	PHONE +44 (0) 1325 311318	FAX +44 (0) 1325 319889
CUSTOMER SERVICES:	PHONE +44 (0) 1325 328034	FAX +44 (0) 1325 328031
SALES ENQUIRIES:	PHONE +44 (0) 1325 328033	FAX +44 (0) 1325 328027

www.roman-showers.com