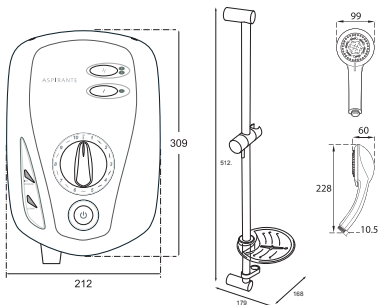


Aspirante xr

electric shower



Dimensions given are approximate



Operating Features

- Push button Start/Stop with phased shutdown
- Temperature control
- Push button power selector
- Low pressure indicator
- Power on indicator
- Rub clean showerhead – 5 spray pattern

Finish	Power	Code
Satin/Chrome	9.5 kW	ASP1009XR
Satin/Chrome	10.5 kW	ASP1001XR

Temperature Control	Stabilised
Power Ratings	9.5 kW, 10.5 kW
Inlet Connection	15mm compression
Water Entry Points	Bottom, back (right hand side unit)
Cable Entry Points	Top, back (right hand side unit)
Outlet Connection	1/2" BSP
Plumbing System	Cold water only
Minimum Running Pressure/Flow	1 Bar @ 8 l/min and 1.5 Bar @ 11 l/min for 10.5 kW
Maximum Static Pressure	10 Bar
Surface Mounted Only	
Approvals, Complies with	BEAB, CE, BSI kite mark
Guarantee	2 years