



Wasteflo WC2 - Macerator

The wasteflo WC2 macerator is ideal when creating a simple cloakroom with a toilet and wash hand basin. Its attractive and compact design means it fits perfectly with any sanitaryware.

Application

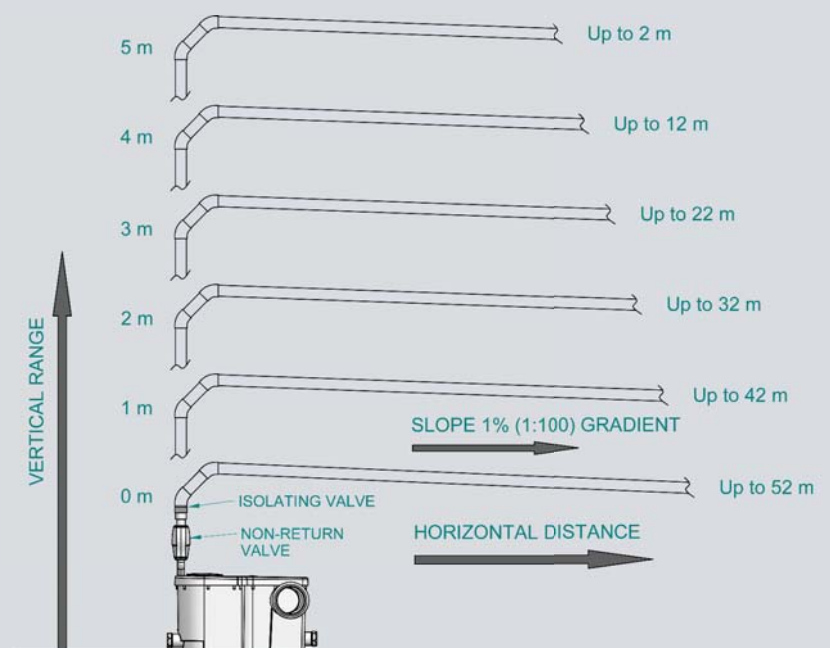
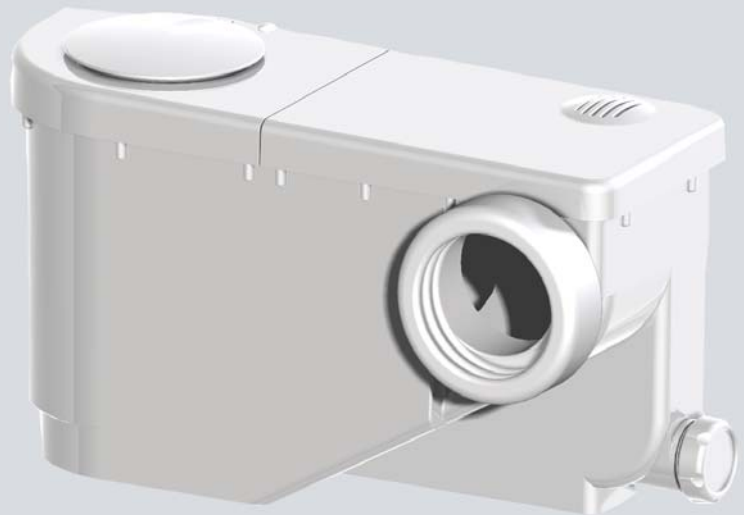
Macerators are a simple way to pump waste water from a sanitary appliance where there is no local access to a soil pipe.

Features & Benefits

Wasteflo macerators are designed with an innovative removable cassette system, which houses the electrical and mechanical components. This cassette system allows for easy and clean access without having to remove any pipework or the appliance when servicing or maintaining the product.

Specification

- One toilet pan connector with innovative inbuilt height adjustment.
- One side inlet suitable for 32 mm (1¼") waste pipe to connect to a basin (40 mm (1½") inlet adaptor included).
- 32 mm (1¼") diameter waste outlet.
- Pumps up to 5 m vertically or 52 m horizontally.
- Maximum flow rate of 90 l/min.
- Complies with EN 12050.
- Less than 60 dB noise level.
- Supplied pre-wired with 1.5 m supply cable.
- Full range of spares available.



Wasteflo WC2 - Macerator

Model	Motor	Max. watts consumed	Amps full load	Carton dims. mm			Gross weight (packed) kg	Part no.
				L	x W	x H		
WC2	230/1/50	500	2.2	580	270	385	9.25	46575

Materials

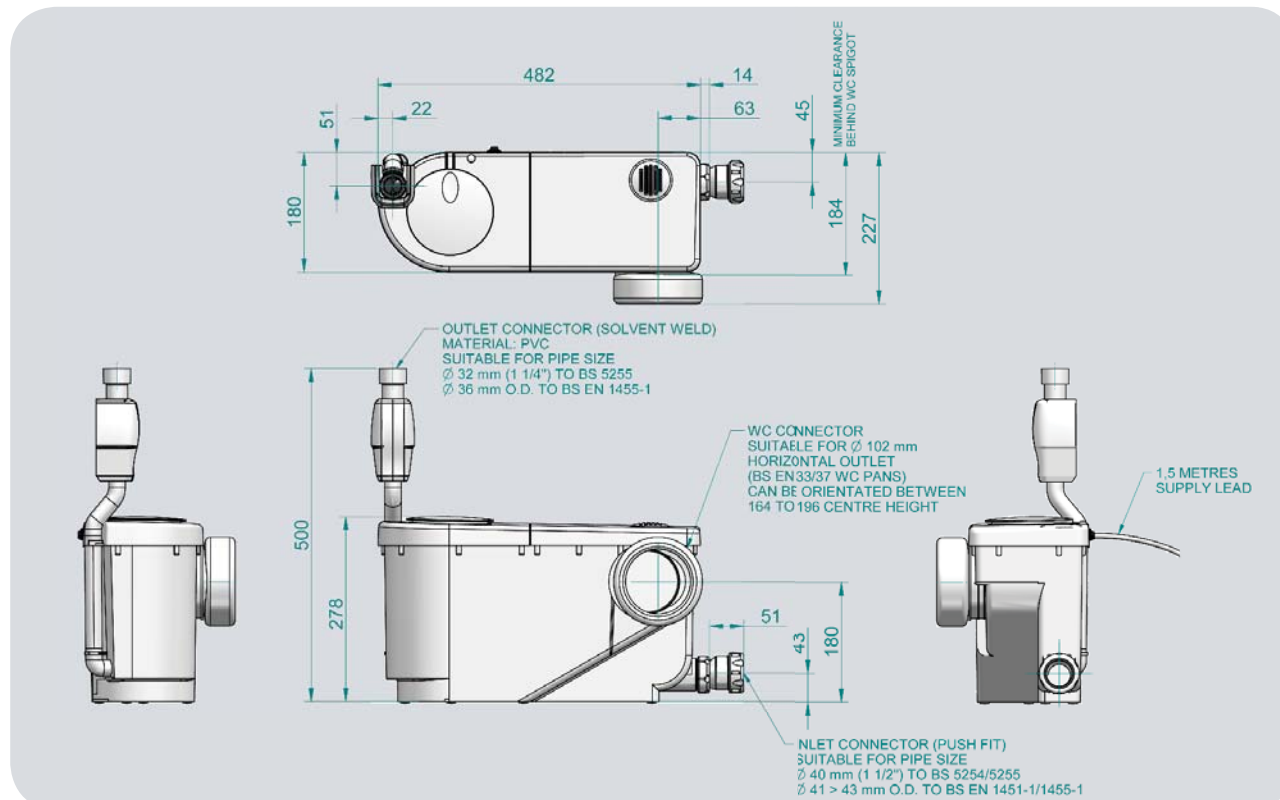
Polypropylene, stainless steel, evoprene

Operating Conditions

Max. liquid temp.	50°C
Min. liquid temp.	4°C
Suction	Flooded
Max. ambient air temp.	40°C

Pump Connection Sizes

Inlet	32 mm (1¼")
Outlet	32 mm (1¼")



All dimensions shown are in mm.

Stuart Turner Ltd
Henley-on-Thames
Oxfordshire RG9 2AD
England
Telephone: +44 (0)1491 572655
Fax: +44 (0)1491 573704

Email:
pumps@stuart-turner.co.uk
Web:
www.stuart-turner.co.uk

V.A.T. REG. No. 199 0987 92.
Registered in England No. 88368.
Registered Office:
Market Place, Henley-on-Thames

**STUART
TURNER**